



# Product Catalog

## Product Bulletin

Convertible (Floor / Ceiling)

Stylus split systems

MCX / 2TTB - 60Hz

1-5 tons

R22



### Indoor Models

MCX512G1\*\*BA

MCX518G1\*\*BA

MCX524G1\*\*BA

MCX530G1\*\*BA

MCX536G1\*\*BA

MCX042G1\*\*AA

MCX048G1\*\*AA

MCX060G1\*\*AA

### Outdoor Models

2TTB0512A1000C

2TTB0518A1000C

2TTB0524A1000C

2TTB0530A1000B

2TTB0536A1000B

2TTB0042A1000C

2TTB0048A1000C

2TTB0060A1000C



# Table of Contents

## Convertible (Floor / Ceiling) Stylus split systems MCX / 2TTB - 60 Hz 1 - 5 tons R22

<b>Introduction</b>	3
<b>General Features</b>	
2TTB0 Split system	4
MCX Convertible (Indoor Units)	5
Controller	6-7
<b>Model Nomenclature</b>	
2TTB0 (Outdoor Units)	8
MCX (Indoor Units)	9
<b>General Data</b>	
2TTB0 (Outdoor Units)	10-11
MCX New Stylus (Indoor Units)	12
MCX (Indoor Units)	13-14
<b>Performance Data</b>	
2TTB0 (Outdoor Units) - MCX (Indoor Units)	15
<b>Performance Table</b>	
2TTB0512A1000C (Outdoor Units) MCX512G10WBA (Indoor Units)	16-17
2TTB0518A1000C (Outdoor Units) MCX518G10WBA (Indoor Units)	18-19
2TTB0524A1000C (Outdoor Units) MCX524G10WBA (Indoor Units)	20-21
2TTB0530A1000B (Outdoor Units) MCX530G10WBA (Indoor Units)	22-23
2TTB0536A1000B (Outdoor Units) MCX536G10WBA (Indoor Units)	24-25
2TTB0042A1000C (Outdoor Units) MCX042G10WAA (Indoor Units)	26-27
2TTB0048A1000C (Outdoor Units) MCX048G10WAA (Indoor Units)	28-29
2TTB0060A1000C (Outdoor Units) MCX060G10WAA (Indoor Units)	30-31
<b>Wiring Diagrams</b>	
MCX512G10WBA (Indoor Units) 2TTB0512A1000C (Outdoor Units)	32
MCX518G10WBA (Indoor Units) 2TTB0518A1000C (Outdoor Units)	33
MCX524G10WBA (Indoor Units) 2TTB0524A1000C (Outdoor Units)	34
MCX530G10WBA (Indoor Units) 2TTB0530A1000B (Outdoor Units)	35
MCX536G10WBA (Indoor Units) 2TTB0536A1000B (Outdoor Units)	36
MCX042G10WAA (Indoor Units) 2TTB0042A1000C (Outdoor Units)	37
MCX048G10WAA (Indoor Units) 2TTB0048A1000C (Outdoor Units)	38
MCX060G10WAA (Indoor Units) 2TTB0060A1000C (Outdoor Units)	39
<b>Dimensions</b>	
2TTB0 Outline Drawing (Outdoor Units)	40
MCX512—536G1 Outline Drawing (Indoor Units)	41
MCX042—060G1 Outline Drawing (Indoor Units)	42



## Introduction

Trane's Mini Split air conditioner is a great choice if you do not want to spend a lot of money and still enjoy their comfort. Mini air conditioner is an excellent investment; especially if you consider that they are portable and therefore can move as needed.

Trane proudly presents New Stylus air conditioners with a clever blend of art and technological design according to **Trane World Wide Quality Standards**, providing you with convenient, comfortable, reliable, and durable heating or cooling with minimal service required.

### Comfort and Reliability

- Full capacity and energy saving.
- 2 Directional Air Discharges.
- Effective Air Discharges.
- Perfectly Serviceable Unit with Low Maintenance.
- 3-Minute Time Delay protects your minisplit system against power interruptions and rapid compressor cycling.
- Power Failure Recovery ensures the system will automatically operate with existing setting whenever power resumes.
- Optional Drain Pump offers an alternative selection covering your application.

### Quality & Durability

To provide and ensure years of trouble - free comfort, all major components of Trane air conditioners are individually inspected and tested including a run-test prior to shipment from factory at **Trane's unique System Extreme Environment Test Center (SEET)**, under conditions in the range of arctic coasts to desert plains.



# General Features and Benefits

## 2TTB0 Split System Features (Outdoor units)

2TTB0 split systems represent a product that is not only an engineer's dream but also a customer's dream. The design team's mission and accomplishment is enhanced performance and efficiency, improved reliability and durability, and improved installability and serviceability.

Trane's experienced design team applied Six Sigma Principles, the latest computer technology and customer research to develop the next generation of leadership products.

Combine the Trane reputation for reliability and durability with the above mentioned mission and accomplishment and you continue to have systems that prove "It's Hard to Stop a Trane®. "

### Benefits

- **Climatuff®** compressor
- All aluminum **Spine Fin™** coil
- **DuraTuff™** base, fast complete drain, weather proof
- New cabinet with anthracite base and polystate gray cabinet
- **Quick-Sess™** cabinet, service access and refrigerant connections with full coil protection
- Corrosion resistant finish and fasteners
- High/low pressure and temperature protection
- Liquid line filter-drier
- Easy single side service
- Multi-use liquid and suction line service valves
- Easy top and fan removal
- Full length control cover
- **Sure Fast™** seams louver panel removal
- HCFC-22 refrigerant
- Extended warranties available
- S.E.E.T. design testing
- 100% line run test

### ARI Standard Capacity Rating Conditions

ARI Standard 210/240 rating conditions-(A) cooling 26.6°C, dry bulb, 19.4°C, wet bulb air entering indoor coil, 35°C, dry bulb air entering outdoor coil.

# Features and Benefits

## MCX Convertible Units

### **Features:**

- Modern, functional design
- Two directional airflow directions
- L - shaped drain pan
- Insulation - closed cell foam
- Washable filter
- Compatible with wireless or digital wired control
- Powercool and econo mode
- Optional electric heater

### **Benefits:**

- Ease of installation
- Easier washable filter removal
- Wide range of cooling area
- Effectively drain condensate regardless of the installed position of the air handler
- Flexible airflow with top and front blade
- Whisper quiet operation
- Great varieties of control function



# Control Features and Benefits

Trane Unique Control instantly brings comfort and convenience to your modern lifestyle.

## Wireless Remote Control

**Luminous On/Off Button:**

Easily turn the air conditioner on or off in the dark.

**Light Button:**

Allows ease of use when the room is dark, from 1800 to 0600 hrs.

**Send Button:**

Confirm or select unit operation according to LCD display.

**Front Blade Function:**

Allows control of front air flow direction and helps room air circulation.

**Louver Function:**

Allows control of five levels of air flow direction of top discharge.

\*Function and buttons above are available only for wireless remote control.



## Digital Wired Control

Best suit your needs with new privileged mode and function, elegant appearance, and simple use.

**Mode of Operation:**

Allows control the operating modes: Fan, Cool, Dry.

**Fan Speed:**

Continuously provides cool air flow with four fan levels: High, Medium, Low, and Auto.

**Temperature Setting:**

Set temperature range is from 15°C to 30°C.

**24 Hours Programmable Timer:**

Users can select on/off time of the unit as real time.

**Illuminating LCD Display:**

Lights up when any button is pressed.

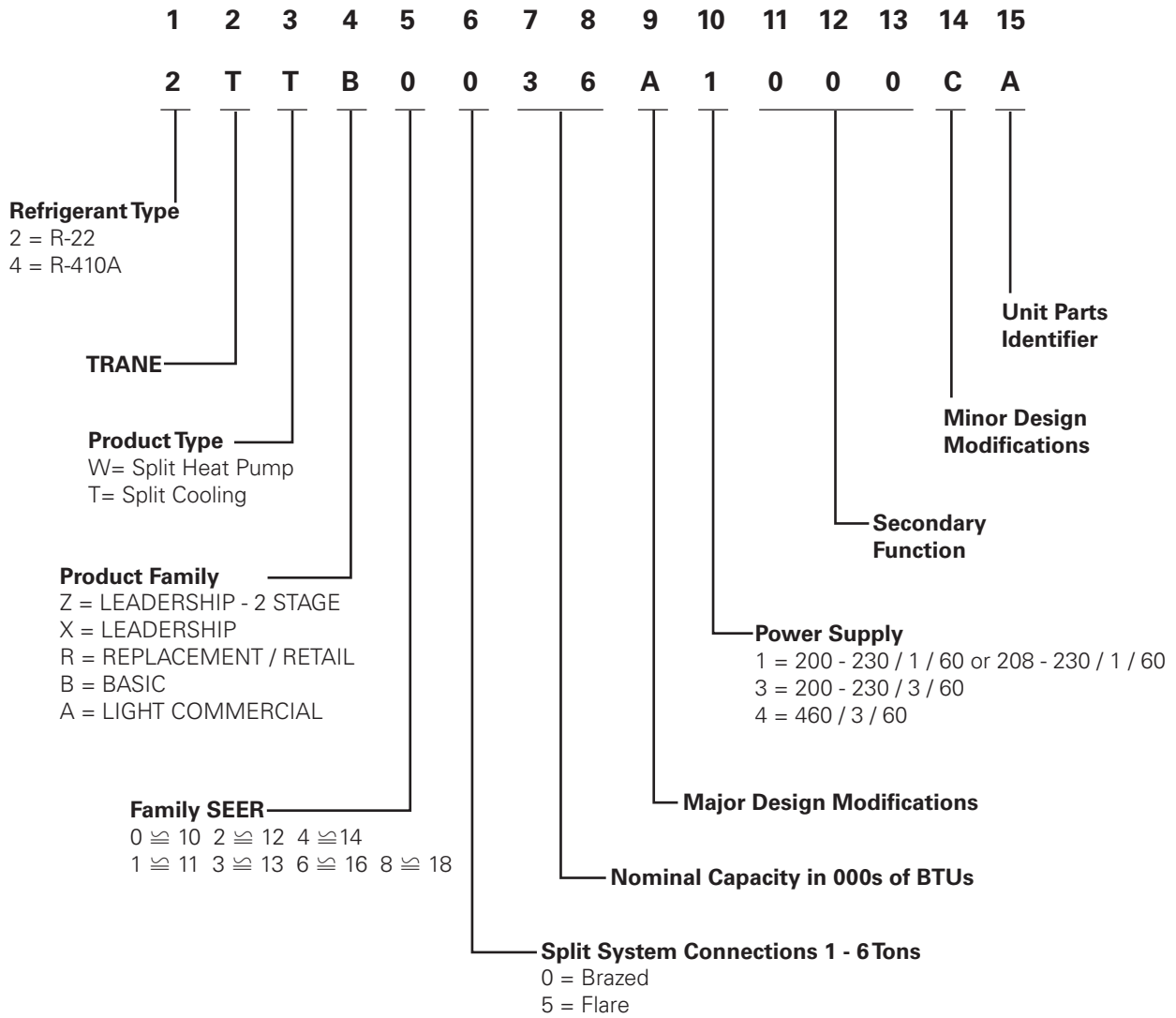
- Provides precise temperature control.





# Model Nomenclature

## Outdoor Units





## Indoor Units

M	C	X	5	1	2	G	1	0	R	B	A
1	2	3	4	5	6	7	8	9	10	11	12

### Digit No. 1 - Product Type

M = MiniSplit

### Digit No. 2

C = Cooling Only

W = Heat Pump

### Digit No. 3 - Configuration

X = Convertible

### Digit No. 4 - Refrigerant Connection

5 = Flare

0 = Sweat (Brazed)

### Digit No. 5 and 6 - Nominal

Capacity

### Digits No. 7 - Major Development

Sequence

### Digit No. 8 - Electric Power Supply

Characteristics:

1 = 220V/1ph/60Hz or 200-240V/1ph/60Hz

3 = 200-240V/3ph/60Hz

4 = 460V/3ph/60Hz

### Digit No. 9 - Electric Heater

0 = No electric heater                      H = 4.0 kW electric heater

5 = High efficiency models                J = 5.0 kW electric heater

E = 2.0 kW electric heater                K = 6.0 kW electric heater

F = 2.5 kW electric heater                L = 7.0 kW electric heater

B = 3.5 kW electric heater

### Digit No. 10 - Thermostat Option

0 = No Control

R = Wireless Remote Control

W = Digital Wired Control

### Digit No. 11 - Minor Design Sequence/Series

Alphabet Letter, "A" through "Z"

### Digit No. 12 - Service Digit



# General Data

## Outdoor Units

Model		2TTB0512A1000C	2TTB0518A1000C	2TTB0524A1000C	2TTB0530A1000B
<b>Power Supply</b>	V/Ph/Hz	200 - 230/1/60	200 - 230/1/60	200 - 230/1/60	200 - 230/1/60
<b>MCA</b>	A	8	10	13	17
<b>System Data</b>					
Refrigerant Type		R22	R22	R22	R22
Refrigerant Charge	lbs.(kg)	3.13 (1.42)	3.13 (1.42)	3.88 (1.76)	4.00 (1.81)
Refrigerant Connection Type		Flared	Flared	Flared	Flared
Suction Line OD	in(mm)	5/8 (16)	5/8 (16)	3/4 (19)	3/4 (19)
Liquid Line OD	in(mm)	1/4 (6)	1/4 (6)	5/16 (8)	5/16 (8)
<b>Compressor</b>					
Type		Climatuff	Climatuff	Climatuff	Climatuff
No. Used		1	1	1	1
<b>Outdoor Fan</b>					
Type		Propeller	Propeller	Propeller	Propeller
No.Used	in (mm)	14 (356)	14 (356)	14 (356)	19 (483)
OD Fan Size	cfm	1425	1450	1475	2175
Airflow Volume	(m <sup>3</sup> /h)	(2420)	(2464)	(2506)	(3695)
<b>Outdoor Coil</b>					
Rows		1	1	1	1
Fin Type		Spine Fin	Spine Fin	Spine Fin	Spine Fin
Fins Per Inch		24	24	24	24
Face Area	sq.ft. (sq.m)	7.27 (0.675)	7.27 (0.675)	7.27 (0.675)	9.72 (0.903)
Tube Size OD	in (mm)	3/8 (9.53)	3/8 (9.53)	3/8 (9.53)	3/8 (9.53)
<b>Dimensions (H x W x D)</b>					
Crated (Shipping)	in (mm)	30.1 x 19.7 x 21.4 (765 x 500 x 544)	30.1 x 19.7 x 21.4 (765 x 500 x 544)	30.1 x 19.7 x 21.4 (765 x 500 x 544)	30.1 x 26.7 x 30.2 (765 x 678 x 767)
Uncrated (Net)	in (mm)	25.5 x 18.8 x 19.8 (648 x 476 x 502)	25.5 x 18.8 x 19.8 (648 x 476 x 502)	25.5 x 18.8 x 19.8 (648 x 476 x 502)	25.6 x 25.6 x 28.5 (651 x 651 x 724)
<b>Weight</b>					
Crated (Shipping)	lbs. (kg)	132 (59.9)	129 (58.5)	141 (64.0)	169 (76.7)
Uncrated (Net)	lbs. (kg)	119 (54.0)	116 (52.6)	128 (58.1)	150 (68.0)

Note: Units shipped with dry nitrogen and charged in factory, refrigerant will be completely charged at the field.

**Outdoor Units**

Model		2TTB0536A1000B	2TTB0042A1000C	2TTB0048A1000C	2TTB0060A1000C
<b>Power Supply</b>	V/Ph/Hz	200 - 230/1/60	200 - 230/1/60	200 - 230/1/60	200 - 230/1/60
<b>MCA</b>	A	20	23	26	35
<b>System Data</b>					
Refrigerant Type		R22	R22	R22	R22
Refrigerant Charge	lbs.(kg)	4.75 (2.15)	5.94 (2.70)	6.81 (3.09)	7.88 (3.57)
Refrigerant Connection Type		Flared	Brazed	Brazed	Brazed
Suction Line OD	in(mm)	3/4 (19)	7/8 (22)	1-1/8 (29)	1-1/8 (29)
Liquid Line OD	in(mm)	5/16 (8)	3/8 (10)	3/8 (10)	3/8 (10)
<b>Compressor</b>					
Type		Climatuff	Climatuff	Climatuff	Climatuff
No. Used		1	1	1	1
<b>Outdoor Fan</b>					
Type		Propeller	Propeller	Propeller	Propeller
No.Used	in (mm)	1	1	1	1
OD Fan Size	cfm	19 (483)	19 (483)	19 (483)	23 (584)
Airflow Volume	(m <sup>3</sup> /h)	2175	2500	2500	3700
		(3695)	(4248)	(4248)	(6286)
<b>Outdoor Coil</b>					
Rows		1	1	1	1
Fin Type		Spine Fin	Spine Fin	Spine Fin	Spine Fin
Fins Per Inch		24	24	24	24
Face Area	sq.ft. (sq.m)	9.72 (0.903)	11.32 (1.052)	13.75 (1.277)	18.75 (1.742)
Tube Size OD	in (mm)	3/8 (9.53)	3/8 (9.53)	3/8 (9.53)	3/8 (9.53)
<b>Dimensions (H x W x D)</b>					
Crated (Shipping)	in	30.1 x 26.7 x 30.2	33.2 x 26.7 x 30.2	33.2 x 26.7 x 30.2	38 x 30.1 x 33.8
	(mm)	(765 x 678 x 767)	(843 x 678 x 767)	(843 x 678 x 767)	(965 x 765 x 858)
Uncrated (Net)	in	25.6 x 25.6 x 28.5	28.8 x 25.6 x 28.5	28.8 x 25.6 x 28.5	32.8 x 29.8 x 32.6
	(mm)	(651 x 651 x 724)	(730 x 651 x 724)	(730 x 651 x 724)	(832 x 756 x 829)
<b>Weight</b>					
Crated (Shipping)	lbs. (kg)	175 (79.4)	208 (94.5)	218 (98.9)	256 (116.1)
Uncrated (Net)	lbs. (kg)	156 (70.8)	188 (85.5)	198 (89.8)	229 (103.9)
Field install transformer			220 / 24 Volt 50 / 60Hz	220 / 24 Volt 50 / 60Hz	220 / 24 Volt 50 / 60Hz
VA			25VA	25VA	25VA
Part number			325-2623	325-2623	325-26233.9

MCA (Minimum Circuit Ampacity) = 125% of motor R.L. Amps plus heater R.L. Amps

Note: Units shipped with dry nitrogen and charged in factory, refrigerant will be completely charged at the field.



# MCX - Indoor Units(New Stylus)

**For general data and performance data, they are the same as MCX5XXG10WBA  
Please refer to page 13 to 15**

MCX - 60Hz Models (New Stylus) - Wired Control				General data (Page)	Performance data (Page)
MCX512G1**BA	200-240V/1ph/60HZ	R22		11	13
MCX518G1**BA	200-240V/1ph/60HZ	R22		11	13
MCX524G1**BA	200-240V/1ph/60HZ	R22		11	13
MCX530G1**BA	200-240V/1ph/60HZ	R22		11	13
MCX536G1**BA	200-240V/1ph/60HZ	R22		12	13
MCX042G1**AA	200-240V/1ph/60HZ	R22		12	13
MCX048G1**AA	200-240V/1ph/60HZ	R22		12	13
MCX060G1**AA	200-240V/1ph/60HZ	R22		12	13
MCX - 60Hz Models (New Stylus) - Wireless Control				General data (Page)	Performance data (Page)
MCX512G1**BA	200-240V/1ph/60HZ	R22		11	13
MCX518G1**BA	200-240V/1ph/60HZ	R22		11	13
MCX524G1**BA	200-240V/1ph/60HZ	R22		11	13
MCX530G1**BA	200-240V/1ph/60HZ	R22		11	13
MCX536G1**BA	200-240V/1ph/60HZ	R22		12	13
MCX042G1**AA	200-240V/1ph/60HZ	R22		12	13
MCX048G1**AA	200-240V/1ph/60HZ	R22		12	13
MCX060G1**AA	200-240V/1ph/60HZ	R22		12	13
MCX - 60Hz Models (New Stylus) - Wireless Control & Electric Heater				General data (Page)	Performance data (Page)
MCX512G1**AA	200-240V/1ph/60HZ	R22		11	13
MCX518G1**AA	200-240V/1ph/60HZ	R22		11	13
MCX524G1**AA	200-240V/1ph/60HZ	R22		11	13
MCX530G1**AA	200-240V/1ph/60HZ	R22		11	13
MCX536G1**AA	200-240V/1ph/60HZ	R22		12	13
MCX042G1**AA	200-240V/1ph/60HZ	R22		12	13
MCX048G1**AA	200-240V/1ph/60HZ	R22		12	13
MCX060G1**AA	200-240V/1ph/60HZ	R22		12	13

Example: MCX512G1\*\*BA  
MCX512G1\*\*AA

Explanation: 4<sup>th</sup> last digit / 0 = cooling only / Alfa letter (E, F, B, H, J, K & L) = Electric heater  
3<sup>rd</sup> last digit / W = wired controls / R = Wireless Controls

**Indoor Units**

Model		MCX512G10WBA	MCX518G10WBA	MCX524G10WBA	MCX530G10WBA
<b>Power Supply</b>	V/Ph/Hz	220-240/1/60	220-240/1/60	220-240/1/60	220-240/1/60
<b>System Data</b>					
Refrigerant Type		R22	R22	R22	R22
Refrigerant Connection Type		Flared	Flared	Flared	Flared
Suction Line OD	in(mm)	1/2 (12.7)	1/2 (12.7)	5/8 (15.9)	5/8 (15.9)
Liquid Line OD	in(mm)	1/4 (6.4)	1/4 (6.4)	3/8 (9.5)	3/8 (9.5)
<b>Indoor Coil</b>					
Rows		2	2	2	2
Fin Type		Slit Fin	Slit Fin	Slit Fin	Slit Fin
Fins Per Inch		18	18	18	18
Face Area	sq.ft. (sq.m)	2.03 (0.19)	2.03 (0.19)	2.71 (0.25)	3.39 (0.32)
Tube Size OD	in (mm)	1/4 (7)	1/4 (7)	1/4 (7)	1/4 (7)
Tube Type		Inner Groove Tube	Inner Groove Tube	Inner Groove Tube	Inner Groove Tube
Drain Connection Size	in (mm)	3/4 (19)	3/4 (19)	3/4 (19)	3/4 (19)
<b>Indoor Fan</b>					
Type		Centrifugal	Centrifugal	Centrifugal	Centrifugal
No.Used		2	2	2	4
ID Fan Size	in (mm)	Ø6 x 7 (Ø152 x 178)	Ø6 x 7 (Ø152 x 178)	Ø6 x 9 (Ø152 x 229)	Ø6 x 7 (Ø152 x 178)
Speed		650 / 800 / 950 / 1150	800 / 950 / 1100 / 1250	800 / 1000 / 1200 / 1350	850 / 1050 / 1200 / 1400
Airflow Volume	cfm	250 / 300 / 350 / 400	325 / 375 / 425 / 475	375 / 450 / 525 / 600	450 / 550 / 650 / 750
	(m <sup>3</sup> /h)	(424 / 509 / 593 / 678)	(551 / 636 / 721 / 805)	(636 / 763 / 890 / 1017)	(763 / 933 / 1102 / 1272)
Indoor Sound Data	dBA	33.0 / 38.5 / 44.5 / 50.5	38.5 / 43.5 / 48.0 / 52.0	36.5 / 43.5 / 49.5 / 54.0	39.0 / 46.0 / 48.5 / 53.0
<b>Filter</b>					
Type		Polypropylene	Polypropylene	Polypropylene	Polypropylene
<b>Electric Heater</b>					
Heater Rating		n/a	n/a	n/a	n/a
<b>Dimensions (H x W x D)</b>					
Crated (Shipping)	in	27.2 x 45.0 x 11.0	27.2 x 45.0 x 11.0	27.2 x 54.8 x 11.0	27.2 x 64.6 x 11.0
	(mm)	(692 x 1143 x 278)	(692 x 1143 x 278)	(692 x 1391 x 278)	(692 x 1641 x 278)
Uncrated (Net)	in	24.7 x 42.3 x 9.2	24.7 x 42.3 x 9.2	24.7 x 51.1 x 9.2	24.7 x 61.9 x 9.2
	(mm)	(627 x 1074 x 234)	(627 x 1074 x 234)	(627 x 1324 x 234)	(627 x 1574 x 234)
<b>Weight</b>					
Crated (Shipping)	lbs. (kg)	71 (32)	73 (33)	87 (39)	113 (51)
Uncrated (Net)	lbs. (kg)	65 (29)	67 (30)	76 (34)	102 (46)

**Indoor Units**

Model		MCX536G10WBA	MCX042G10WAA	MCX048G10WAA	MCX060G10WAA
<b>Power Supply</b>	V/Ph/Hz	220-240/1/60	220-240/1/60	220-240/1/60	220-240/1/60
<b>System Data</b>					
Refrigerant Type		R22	R22	R22	R22
Refrigerant Connection Type		Flared	Brazed	Brazed	Brazed
Suction Line OD	in(mm)	3/4 (19.0)	7/8 (22.2)	1-1/8 (28.6)	1-1/8 (28.6)
Liquid Line OD	in(mm)	3/8 (9.5)	3/8 (9.5)	3/8 (9.5)	3/8 (9.5)
<b>Indoor Coil</b>					
Rows		4	3	3	4
Fin Type		Slit Fin	Slit Fin	Slit Fin	Slit Fin
Fins Per Inch		18	18	18	17
Face Area	sq.ft. (sq.m)	3.39 (0.32)	4.10 (0.38)	4.10 (0.38)	4.78 (0.44)
Tube Size OD	in (mm)	1/4 (7)	1/4 (7)	1/4 (7)	1/4 (7)
Tube Type		Inner Groove Tube	Inner Groove Tube	Inner Groove Tube	Inner Groove Tube
Drain Connection Size	in (mm)	3/4 (19)	3/4 (19)	3/4 (19)	3/4 (19)
<b>Indoor Fan</b>					
Type		Centrifugal	Centrifugal	Centrifugal	Centrifugal
No.Used		4	4	4	4
ID Fan Size	in (mm)	Ø6 x 7 (Ø152 x 178)	Ø6 x 7 (Ø152 x 178)	Ø6 x 9 (Ø152 x 229)	Ø6 x 9 (Ø152 x 229)
Speed		850 / 1050 / 1200 / 1400	950 / 1150 / 1400	1050 / 1200 / 1400	1050 / 1200 / 1400
Airflow Volume	cfm	500 / 600 / 675 / 750	800 / 1000 / 1200	850 / 1050 / 1200	950 / 1150 / 1350
	(m <sup>3</sup> /h)	(848 / 1017 / 1145 / 1272)	(1356 / 1696 / 2035)	(1441 / 1780 / 2035)	(1611 / 1950 / 2289)
Indoor Sound Data	dBA	39.0 / 46.0 / 48.5 / 53.5	46.5 / 52.0 / 54.5	48.5 / 52.5 / 54.5	48.5 / 52.5 / 54.5
<b>Filter</b>					
Type		Polypropylene	Polypropylene	Polypropylene	Polypropylene
<b>Electric Heater</b>					
Heater Rating		n/a	n/a	n/a	n/a
<b>Dimensions (H x W x D)</b>					
Crated (Shipping)	in	27.2 x 64.6 x 11.0	27.2 x 74.2 x 11.0	27.2 x 74.2 x 11.0	27.2 x 84.1 x 11.0
	(mm)	(692 x 1641 x 278)	(692 x 1886 x 278)	(692 x 1886 x 278)	(692 x 2137 x 278)
Uncrated (Net)	in	24.7 x 61.9 x 9.2	24.7 x 71.8 x 9.2	24.7 x 71.8 x 9.2	24.7 x 81.7 x 9.2
	(mm)	(627 x 1574 x 234)	(627 x 1824 x 234)	(627 x 1824 x 234)	(627 x 2074 x 234)
<b>Weight</b>					
Crated (Shipping)	lbs. (kg)	113 (51)	146 (66)	151 (68)	173 (78)
Uncrated (Net)	lbs. (kg)	104 (47)	131 (59)	135 (61)	155 (70)



# Performance Data

Indoor Outdoor Model		MCX512G1**BA 2TTB0512A1000C	MCX518G1**BA 2TTB0518A1000C	MCX524G1**BA 2TTB0524A1000C	MCX530G1**BA 2TTB0530A1000B
<b>Power Supply</b>	V/Ph/Hz	200 - 230/1/60	200 - 230/1/60	200 - 230/1/60	200 - 230/1/60
<b>Refrigerant Flow Control</b>	Type	Capillary Tube	Capillary Tube	Capillary Tube	Capillary Tube
<b>Cooling Capacity</b>	Btu/h	13200	17400	22200	27000
	kW	3.9	5.1	6.3	7.9
<b>Power Input</b>	w	1361	1660	2174	2787
<b>EER</b>		9.70	10.50	10.20	9.70

Indoor Outdoor Model		MCX536G1**BA 2TTB0536A1000B	MCX042G1**AA 2TTB0042A1000C	MCX048G1**AA 2TTB0048A1000C	MCX060G1**AA 2TTB0060A1000C
<b>Power Supply</b>	V/Ph/Hz	200 - 230/1/60	200 - 230/1/60	200 - 230/1/60	200 - 230/1/60
<b>Refrigerant Flow Control</b>	Type	Capillary Tube	Capillary Tube	Capillary Tube	Capillary Tube
<b>Cooling Capacity</b>	Btu/h	31500	40200	43800	59700
	kW	9.2	11.8	12.8	17.5
<b>Power Input</b>	w	3239	3816	4221	5559
<b>EER</b>		9.70	10.50	10.40	10.70

Example: MCX512G1\*\*BA  
MCX512G1\*\*AA

Explanation: 4<sup>th</sup> last digit / 0 = cooling only / Alfa letter (E, F, B, H, J, K & L) = Electric heater  
3<sup>rd</sup> last digit / W = wired controls / R = Wireless Controls



# Performance Table

Outdoor Unit: 2TTB0512A1000C  
 Indoor Unit: MCX512G10WBA

## Performance at 80/67/95

AIRFLOW (CFM): 400  
 GROS. CAP(MBH): 13.2  
 SENS. CAP(MBH): 7.5  
 COMP. WATTS: 1152  
 OD FAN WATTS: 175  
 ID FAN WATTS: 34  
 COMP. AMPS: 5.0  
 OD FAN AMPS: 0.8  
 ID FAN AMPS: 0.2  
 NOM. SYS. AMPS: 5.9  
 EER (BTU/WHR): 9.7

## Performance Data Cooling-English Units

2TTB0512A1000C With MCX512G10WBA								
AT 400 CFM								
Gross Capacity in Btu/H x 1000								
Outdoor	Indoor	Gross	SENS.CAP.AT Entering D.B. TEMP.					COMPR.
D.B.	W.B.	CAP.	72	74	76	78	80	kW
	61	12.1	7.1	7.7	8.3	8.9	9.2	1.00
85	65	13.1	5.9	6.5	7.1	7.7	8.3	1.04
	67	13.6	5.2	5.9	6.5	7.1	7.7	1.06
	71	14.6	3.9	4.5	5.1	5.8	6.4	1.10
	61	11.8	7.0	7.6	8.2	8.7	9.2	1.09
95	65	12.7	5.8	6.4	7.0	7.6	8.2	1.13
	67	13.2	5.1	5.7	6.3	6.9	7.5	1.15
	71	14.1	3.8	4.4	5.0	5.6	6.3	1.20
	61	11.3	6.8	7.4	7.9	8.4	8.9	1.18
105	65	12.2	5.5	6.1	6.7	7.3	7.9	1.23
	67	12.7	4.9	5.5	6.1	6.7	7.3	1.25
	71	13.6	4.2	4.2	4.8	5.4	6.0	1.30
	61	10.8	6.6	7.1	7.7	8.2	8.6	1.28
115	65	11.7	5.3	5.9	6.5	7.1	7.7	1.33
	67	12.1	4.7	5.3	5.9	6.5	7.1	1.35
	71	13.0	3.4	4.0	4.6	5.2	5.8	1.40

\*Dry coil condition (Gross Capacity = Sensible Capacity)  
 Gross Capacity and Comp. kW are valid only for Wet Coil

## Performance at the Rating Conditions of 80/67 & 95°F

GROSS CAPACITY: 13.2 MBH  
 AIRFLOW: 400 CFM  
 SYSTEM POWER: 1361 WATTS  
 NOM. SYSTEM AMPS: 5.9 AMPS  
 EER (BTU/W-HR): 9.7



**Performance Data Cooling-Metric Units**

2TTB0512A1000C With MCX512G10WBA								
AT 680 CMH								
Gross Capacity in Kilowatts								
Outdoor	Indoor	Gross	SENS.CAP.AT Entering D.B. TEMP.					COMPR.
D.B.	W.B.	CAP.	22.5	23.5	24.5	25.5	26.5	kW
	16	3.5	2.1	2.3	2.4	2.6	2.7	1.00
30	18	3.8	1.7	1.9	2.1	2.3	2.4	1.04
	19.5	4.0	1.5	1.7	1.9	2.1	2.2	1.06
	22	4.3	1.1	1.3	1.5	1.7	1.9	1.10
	16	3.4	2.1	2.2	2.4	2.6	2.7	1.09
35	18	3.7	1.7	1.9	2.0	2.2	2.4	1.13
	19.5	3.9	1.5	1.7	1.9	2.0	2.2	1.15
	22	4.1	1.1	1.3	1.5	1.6	1.8	1.20
	16	3.3	2.0	2.2	2.3	2.5	2.6	1.18
40	18	3.6	1.6	1.8	2.0	2.1	2.3	1.23
	19.5	3.7	1.4	1.6	1.8	2.0	2.1	1.25
	22	4.0	1.2	1.2	1.4	1.6	1.8	1.30
	16	3.2	1.9	2.1	2.3	2.4	2.5	1.28
45	18	3.4	1.6	1.7	1.9	2.1	2.3	1.33
	19.5	3.5	1.4	1.6	1.7	1.9	2.1	1.35
	22	3.8	1.0	1.2	1.3	1.5	1.7	1.40

\*Dry coil condition (Gross Capacity = Sensible Capacity)  
 Gross Capacity and Comp. kW are valid only for Wet Coil

**Performance at the Rating Conditions of 26.5/19.5 & 35°C**

GROSS CAPACITY: 3.9 kW  
 AIRFLOW: 680 CMH  
 SYSTEM POWER: 1361 WATTS  
 NOM.SYSTEM AMPS: 5.9 AMPS



## Performance Table

Outdoor Unit: 2TTB0518A1000C  
 Indoor Unit: MCX518G10WBA

### Performance at 80/67/95

AIRFLOW (CFM): 475  
 GROS. CAP(MBH): 17.4  
 SENS. CAP(MBH): 11.2  
 COMP. WATTS: 1440  
 OD FAN WATTS: 175  
 ID FAN WATTS: 45  
 COMP. AMPS: 6.3  
 OD FAN AMPS: 0.8  
 ID FAN AMPS: 0.2  
 NOM. SYS. AMPS: 7.2  
 EER (BTU/WHR): 10.5

### Performance Data Cooling-English Units

2TTB0518A1000C With MCX518G10WBA								
AT 475 CFM								
Gross Capacity in Btu/H x 1000								
Outdoor	Indoor	Gross	SENS.CAPAT Entering D.B. TEMP.					COMPR.
D.B.	W.B.	CAP.	72	74	76	78	80	kW
	61	16.0	10.5	11.5	12.3	13.2	13.7	1.25
85	65	17.3	8.7	9.6	10.5	11.4	12.3	1.30
	67	18.0	7.8	8.7	9.6	10.4	11.4	1.33
	71	19.3	5.8	6.7	7.6	8.5	9.4	1.38
	61	15.6	10.4	11.2	12.2	12.9	13.7	1.36
95	65	16.8	8.5	9.4	10.3	11.2	12.1	1.41
	67	17.4	7.6	8.5	9.4	10.3	11.2	1.44
	71	18.7	5.7	6.5	7.4	8.3	9.3	1.50
	61	14.9	10.0	10.9	11.7	12.5	13.2	1.48
105	65	16.1	8.2	9.1	10.0	10.9	11.8	1.54
	67	16.8	7.3	8.1	9.0	9.9	10.8	1.56
	71	18.0	6.2	6.2	7.1	8.0	8.9	1.63
	61	14.3	9.7	10.6	11.4	12.1	12.7	1.60
115	65	15.4	7.9	8.8	9.7	10.6	11.4	1.66
	67	16.0	6.9	7.9	8.7	9.6	10.5	1.69
	71	17.2	5.0	5.9	6.8	7.7	8.6	1.75

\*Dry coil condition (Gross Capacity = Sensible Capacity)  
 Gross Capacity and Comp. kW are valid only for Wet Coil

### Performance at the Rating Conditions of 80/67 & 95°F

GROSS CAPACITY: 17.4 MBH  
 AIRFLOW: 475 CFM  
 SYSTEM POWER: 1660 WATTS  
 NOM. SYSTEM AMPS: 7.2 AMPS

EER (BTU/W-HR): 10.5

**Performance Data Cooling-Metric Units**

2TTB0518A1000C With MCX518G10WBA								
AT 808 CMH								
Gross Capacity in Kilowatts								
Outdoor	Indoor	Gross	SENS.CAP.AT Entering D.B. TEMP.					COMPR.
D.B.	W.B.	CAP.	22.5	23.5	24.5	25.5	26.5	kW
	16	4.7	3.1	3.4	3.6	3.9	4.0	1.25
30	18	5.1	2.6	2.8	3.1	3.3	3.6	1.30
	19.5	5.3	2.3	2.5	2.8	3.1	3.3	1.33
	22	5.7	1.7	2.0	2.2	2.5	2.8	1.38
	16	4.6	3.0	3.3	3.6	3.8	4.0	1.36
35	18	4.9	2.5	2.8	3.0	3.3	3.6	1.41
	19.5	5.1	2.2	2.5	2.7	3.0	3.3	1.44
	22	5.5	1.7	1.9	2.2	2.4	2.7	1.50
	16	4.4	2.9	3.2	3.4	3.6	3.9	1.48
40	18	4.7	2.4	2.7	2.9	3.2	3.4	1.54
	19.5	4.9	2.1	2.4	2.6	2.9	3.2	1.56
	22	5.3	1.8	1.8	2.1	2.3	2.6	1.63
	16	4.2	2.8	3.1	3.3	3.5	3.7	1.60
45	18	4.5	2.3	2.6	2.8	3.1	3.4	1.66
	19.5	4.7	2.0	2.3	2.6	2.8	3.1	1.69
	22	5.0	1.5	1.7	2.0	2.3	2.5	1.75

\*Dry coil condition (Gross Capacity = Sensible Capacity)  
 Gross Capacity and Comp. kW are valid only for Wet Coil

**Performance at the Rating Conditions of 26.5/19.5 & 35°C**

GROSS CAPACITY: 5.1 kW  
 AIRFLOW: 808 CMH  
 SYSTEM POWER: 1660 WATTS  
 NOM.SYSTEM AMPS: 7.2 AMPS



## Performance Table

Outdoor Unit: 2TTB0524A1000C  
 Indoor Unit: MCX524G10WBA

### Performance at 80/67/95

AIRFLOW (CFM): 600  
 GROS. CAP(MBH): 22.2  
 SENS. CAP(MBH): 14.3  
 COMP. WATTS: 1932  
 OD FAN WATTS: 179  
 ID FAN WATTS: 63  
 COMP. AMPS: 8.4  
 OD FAN AMPS: 0.8  
 ID FAN AMPS: 0.3  
 NOM. SYS. AMPS: 9.5  
 EER (BTU/WHR): 10.2

### Performance Data Cooling-English Units

2TTB0524A1000C With MCX524G10WBA								
AT 600 CFM								
Gross Capacity in Btu/H x 1000								
Outdoor	Indoor	Gross	SENS.CAP.AT Entering D.B. TEMP.					COMPR.
D.B.	W.B.	CAP.	72	74	76	78	80	kW
	61	20.4	13.5	14.7	15.8	16.9	17.5	1.68
85	65	22.0	11.2	12.4	13.5	14.7	15.8	1.75
	67	22.8	10.0	11.1	12.3	13.4	14.6	1.78
	71	24.5	7.4	8.6	9.7	10.9	12.1	1.85
	61	19.8	13.3	14.4	15.6	16.6	17.5	1.82
95	65	21.4	11.0	12.1	13.3	14.4	15.6	1.89
	67	22.2	9.7	10.9	12.0	13.2	14.3	1.93
	71	23.8	7.3	8.4	9.5	10.7	11.9	2.01
	61	19.0	12.8	14.0	15.0	16.0	16.9	1.98
105	65	20.5	10.5	11.6	12.8	13.9	15.1	2.06
	67	21.3	9.3	10.4	11.6	12.7	13.9	2.10
	71	22.8	8.0	8.0	9.1	10.3	11.4	2.18
	61	18.2	12.5	13.6	14.6	15.5	16.3	2.15
115	65	19.6	10.1	11.3	12.4	13.6	14.7	2.23
	67	20.4	8.9	10.1	11.2	12.3	13.5	2.27
	71	21.9	6.5	7.6	8.7	9.9	11.0	2.35

\*Dry coil condition (Gross Capacity = Sensible Capacity)  
 Gross Capacity and Comp. kW are valid only for Wet Coil

### Performance at the Rating Conditions of 80/67 & 95°F

GROSS CAPACITY: 22.2 MBH  
 AIRFLOW: 600 CFM  
 SYSTEM POWER: 2174 WATTS  
 NOM. SYSTEM AMPS: 9.5 AMPS

EER (BTU/W-HR): 10.2

**Performance Data Cooling-Metric Units**

2TTB0524A1000C With MCX524G10WBA								
AT 1020 CMH								
Gross Capacity in Kilowatts								
Outdoor	Indoor	Gross	SENS.CAP.AT Entering D.B. TEMP.					COMPR.
D.B.	W.B.	CAP.	22.5	23.5	24.5	25.5	26.5	kW
	16	6.0	4.0	4.3	4.6	4.9	5.1	1.68
30	18	6.4	3.3	3.6	4.0	4.3	4.6	1.75
	19.5	6.7	2.9	3.3	3.6	3.9	4.3	1.78
	22	7.2	2.2	2.5	2.9	3.2	3.5	1.85
	16	5.8	3.9	4.2	4.6	4.9	5.1	1.82
35	18	6.3	3.2	3.5	3.9	4.2	4.6	1.89
	19.5	6.5	2.8	3.2	3.5	3.9	4.2	1.93
	22	7.0	2.1	2.5	2.8	3.1	3.5	2.01
	16	5.6	3.8	4.1	4.4	4.7	4.9	1.98
40	18	6.0	3.1	3.4	3.8	4.1	4.4	2.06
	19.5	6.3	2.7	3.1	3.4	3.7	4.1	2.10
	22	6.7	2.3	2.3	2.7	3.0	3.3	2.18
	16	5.3	3.7	4.0	4.3	4.5	4.8	2.15
45	18	5.8	3.0	3.3	3.6	4.0	4.3	2.23
	19.5	6.0	2.6	3.0	3.3	3.6	3.9	2.27
	22	6.4	1.9	2.2	2.6	2.9	3.2	2.35

\*Dry coil condition (Gross Capacity = Sensible Capacity)  
 Gross Capacity and Comp. kW are valid only for Wet Coil

**Performance at the Rating Conditions of 26.5/19.5 & 35°C**

GROSS CAPACITY: 6.5 kW  
 AIRFLOW: 1020 CMH  
 SYSTEM POWER: 2174 WATTS  
 NOM.SYSTEM AMPS: 9.5 AMPS



## Performance Table

Outdoor Unit: 2TTB0530A1000B  
 Indoor Unit: MCX530G10WBA

### Performance at 80/67/95

AIRFLOW (CFM): 750  
 GROS. CAP(MBH): 27.0  
 SENS. CAP(MBH): 18.2  
 COMP. WATTS: 2496  
 OD FAN WATTS: 211  
 ID FAN WATTS: 80  
 COMP. AMPS: 10.9  
 OD FAN AMPS: 0.9  
 ID FAN AMPS: 0.4  
 NOM. SYS. AMPS: 12.1  
 EER (BTU/WHR): 9.7

### Performance Data Cooling-English Units

2TTB0530A1000B With MCX530G10WBA								
AT 750 CFM								
Gross Capacity in Btu/H x 1000								
Outdoor	Indoor	Gross	SENS.CAP.AT Entering D.B. TEMP.					COMPR.
D.B.	W.B.	CAP.	72	74	76	78	80	kW
	61	24.8	17.2	18.7	20.1	21.5	22.3	2.17
85	65	26.8	14.2	15.7	17.2	18.6	20.1	2.26
	67	27.8	12.7	14.1	15.6	17.0	18.5	2.30
	71	29.9	9.5	11.0	12.4	13.9	15.3	2.39
	61	24.1	16.9	18.3	19.8	21.1	22.3	2.35
95	65	26.0	13.9	15.4	16.9	18.3	19.8	2.45
	67	27.0	12.3	13.8	15.3	16.8	18.2	2.50
	71	29.0	9.2	10.6	12.1	13.6	15.1	2.59
	61	23.1	16.3	17.8	19.1	20.3	21.5	2.56
105	65	25.0	13.4	14.8	16.3	17.7	19.2	2.66
	67	26.0	11.8	13.2	14.7	16.2	17.6	2.71
	71	27.8	10.1	10.2	11.6	13.1	14.5	2.82
	61	22.2	15.8	17.3	18.5	19.8	20.8	2.77
115	65	23.9	12.9	14.4	15.8	17.2	18.7	2.88
	67	24.8	11.3	12.8	14.2	15.7	17.1	2.93
	71	26.7	8.2	9.7	11.1	12.6	14.0	3.04

\*Dry coil condition (Gross Capacity = Sensible Capacity)  
 Gross Capacity and Comp. kW are valid only for Wet Coil

### Performance at the Rating Conditions of 80/67 & 95°F

GROSS CAPACITY: 27.0 MBH  
 AIRFLOW: 750 CFM  
 SYSTEM POWER: 2787 WATTS  
 NOM. SYSTEM AMPS: 12.1 AMPS

EER (BTU/W-HR): 9.7

**Performance Data Cooling - Metric Units**

2TTB0530A1000B With MCX530G10WBA								
AT 1275 CMH								
Gross Capacity in Kilowatts								
Outdoor	Indoor	Gross	SENS.CAP.AT Entering D.B. TEMP.					COMPR.
D.B.	W.B.	CAP.	22.5	23.5	24.5	25.5	26.5	kW
	16	7.3	5.0	5.5	5.9	6.3	6.5	2.17
30	18	7.9	4.2	4.6	5.0	5.5	5.9	2.26
	19.5	8.2	3.7	4.1	4.6	5.0	5.4	2.30
	22	8.8	2.8	3.2	3.6	4.1	4.5	2.39
	16	7.1	5.0	5.4	5.8	6.2	6.5	2.35
35	18	7.6	4.1	4.5	4.9	5.4	5.8	2.45
	19.5	7.9	3.6	4.1	4.5	4.9	5.3	2.50
	22	8.5	2.7	3.1	3.6	4.0	4.4	2.59
	16	6.8	4.8	5.2	5.6	6.0	6.3	2.56
40	18	7.3	3.9	4.3	4.8	5.2	5.6	2.66
	19.5	7.6	3.5	3.9	4.3	4.7	5.2	2.71
	22	8.2	3.0	3.0	3.4	3.8	4.2	2.82
	16	6.5	4.6	5.1	5.4	5.8	6.1	2.77
45	18	7.0	3.8	4.2	4.6	5.1	5.5	2.88
	19.5	7.3	3.3	3.8	4.2	4.6	5.0	2.93
	22	7.8	2.4	2.8	3.3	3.7	4.1	3.04

\*Dry coil condition (Gross Capacity = Sensible Capacity)  
 Gross Capacity and Comp. kW are valid only for Wet Coil

**Performance at the Rating Conditions of 26.5/19.5 & 35°C**

GROSS CAPACITY: 7.9 kW  
 AIRFLOW: 1275 CMH  
 SYSTEM POWER: 2787 WATTS  
 NOM.SYSTEM AMPS: 12.1 AMPS



## Performance Table

Outdoor Unit: 2TTB0536A1000B  
 Indoor Unit: MCX536G10WBA

### Performance at 80/67/95

AIRFLOW (CFM): 750  
 GROS. CAP(MBH): 31.5  
 SENS. CAP(MBH): 19.9  
 COMP. WATTS: 2948  
 OD FAN WATTS: 211  
 ID FAN WATTS: 80  
 COMP. AMPS: 12.8  
 OD FAN AMPS: 0.9  
 ID FAN AMPS: 0.4  
 NOM. SYS. AMPS: 14.1  
 EER (BTU/WHR): 9.7

### Performance Data Cooling-English Units

2TTB0536A1000B With MCX536G10WBA								
AT 750 CFM								
Gross Capacity in Btu/H x 1000								
Outdoor	Indoor	Gross	SENS.CAP.AT Entering D.B. TEMP.					COMPR.
D.B.	W.B.	CAP.	72	74	76	78	80	kW
	61	29.0	18.7	20.4	21.9	23.4	24.3	2.56
85	65	31.3	15.5	17.1	18.7	20.3	21.9	2.66
	67	32.5	13.8	15.4	17.0	18.6	20.2	2.72
	71	34.9	10.3	12.0	13.5	15.2	16.7	2.83
	61	28.2	18.5	20.0	21.6	23.0	24.3	2.78
95	65	30.4	15.2	16.8	18.4	19.9	21.6	2.89
	67	31.5	13.5	15.1	16.7	18.3	19.9	2.95
	71	33.9	10.1	11.6	13.2	14.8	16.5	3.06
	61	27.0	17.8	19.4	20.9	22.1	23.4	3.03
105	65	29.2	14.6	16.1	17.8	19.3	20.9	3.14
	67	30.4	12.9	14.4	16.0	17.6	19.2	3.20
	71	32.5	11.0	11.1	12.6	14.2	15.8	3.33
	61	25.9	17.3	18.8	20.2	21.5	22.6	3.28
115	65	27.9	14.0	15.6	17.2	18.8	20.3	3.40
	67	29.0	12.3	14.0	15.5	17.1	18.7	3.46
	71	31.2	9.0	10.5	12.1	13.7	15.3	3.58

\*Dry coil condition (Gross Capacity = Sensible Capacity)  
 Gross Capacity and Comp. kW are valid only for Wet Coil

### Performance at the Rating Conditions of 80/67 & 95°F

GROSS CAPACITY: 31.5 MBH  
 AIRFLOW: 750 CFM  
 SYSTEM POWER: 3239 WATTS  
 NOM. SYSTEM AMPS: 14.1 AMPS

EER (BTU/W-HR): 9.7



**Performance Data Cooling - Metric Units**

2TTB0536A1000B With MCX536G10WBA								
AT 1275 CMH								
Gross Capacity in Kilowatts								
Outdoor	Indoor	Gross	SENS.CAP.AT Entering D.B. TEMP.					COMPR.
D.B.	W.B.	CAP.	22.5	23.5	24.5	25.5	26.5	kW
	16	8.5	5.5	6.0	6.4	6.9	7.1	2.56
30	18	9.2	4.5	5.0	5.5	6.0	6.4	2.66
	19.5	9.5	4.0	4.5	5.0	5.4	5.9	2.72
	22	10.2	3.0	3.5	4.0	4.4	4.9	2.83
	16	8.3	5.4	5.9	6.3	6.7	7.1	2.78
35	18	8.9	4.5	4.9	5.4	5.8	6.3	2.89
	19.5	9.2	3.9	4.4	4.9	5.4	5.8	2.95
	22	9.9	2.9	3.4	3.9	4.3	4.8	3.06
	16	7.9	5.2	5.7	6.1	6.5	6.9	3.03
40	18	8.6	4.3	4.7	5.2	5.7	6.1	3.14
	19.5	8.9	3.8	4.2	4.7	5.2	5.6	3.20
	22	9.5	3.2	3.2	3.7	4.2	4.6	3.33
	16	7.6	5.1	5.5	5.9	6.3	6.6	3.28
45	18	8.2	4.1	4.6	5.0	5.5	6.0	3.40
	19.5	8.5	3.6	4.1	4.5	5.0	5.5	3.46
	22	9.1	2.6	3.1	3.5	4.0	4.5	3.58

\*Dry coil condition (Gross Capacity = Sensible Capacity)  
 Gross Capacity and Comp. kW are valid only for Wet Coil

**Performance at the Rating Conditions of 26.5/19.5 & 35°C**

GROSS CAPACITY: 9.2 kW  
 AIRFLOW: 123239 WATTS  
 NOM.SYSTEM AMPS: 14.1 AMPS



## Performance Table

Outdoor Unit: 2TTB0042A1000A  
 Indoor Unit: MCX042G10WAA

### Performance at 80/67/95

AIRFLOW (CFM): 1200  
 GROS. CAP(MBH): 40.2  
 SENS. CAP(MBH): 27.6  
 COMP. WATTS: 3447  
 OD FAN WATTS: 249  
 ID FAN WATTS: 120  
 COMP. AMPS: 15.0  
 OD FAN AMPS: 1.1  
 ID FAN AMPS: 0.5  
 NOM. SYS. AMPS: 16.6  
 EER (BTU/WHR): 10.5

### Performance Data Cooling-English Units

2TTB0042A1000B With MCX042G10WAA								
AT 1200 CFM								
Gross Capacity in Btu/H x 1000								
Outdoor	Indoor	Gross	SENS.CAP.AT Entering D.B. TEMP.					COMPR.
D.B.	W.B.	CAP.	72	74	76	78	80	kW
	61	37.0	26.1	27.4	30.5	32.6	33.9	2.99
85	65	39.9	21.6	23.8	26.0	28.3	30.5	3.12
	67	41.5	19.2	21.5	23.7	25.9	28.1	3.17
	71	44.5	14.4	16.6	18.8	21.1	23.3	3.31
	61	36.0	25.7	27.9	30.1	32.0	33.8	3.25
95	65	38.8	21.2	23.3	25.6	27.8	30.0	3.38
	67	40.2	18.7	21.0	23.2	25.4	27.6	3.45
	71	43.2	14.0	16.2	18.4	20.6	22.9	3.58
	61	34.5	24.7	27.0	29.0	30.8	32.6	3.54
105	65	37.3	20.3	22.5	24.7	26.9	29.1	3.67
	67	38.7	18.0	20.1	22.3	24.5	26.8	3.74
	71	41.5	15.4	15.4	17.6	19.8	22.0	3.89
	61	33.0	24.1	26.2	28.2	30.0	31.5	3.83
115	65	35.6	19.5	21.8	23.9	26.2	28.3	3.98
	67	37.0	17.2	19.5	21.6	23.8	26.0	4.05
	71	39.8	12.5	14.6	16.8	19.1	21.3	4.19

\*Dry coil condition (Gross Capacity = Sensible Capacity)  
 Gross Capacity and Comp. kW are valid only for Wet Coil

### Performance at the Rating Conditions of 80/67 & 95°F

GROSS CAPACITY: 40.2 MBH  
 AIRFLOW: 1200 CFM  
 SYSTEM POWER: 3816 WATTS  
 NOM. SYSTEM AMPS: 16.1 AMPS

EER (BTU/W-HR): 10.5

**Performance Data Cooling - Metric Units**

2TTB0042A1000C With MCX536G10WAA								
AT 2040 CMH								
Gross Capacity in Kilowatts								
Outdoor	Indoor	Gross	SENS.CAP.AT Entering D.B. TEMP.					COMPR.
D.B.	W.B.	CAP.	22.5	23.5	24.5	25.5	26.5	kW
	16	10.8	7.6	8.3	8.9	9.6	9.9	2.99
30	18	11.7	6.3	7.0	7.6	8.3	8.9	3.12
	19.5	12.1	5.6	6.3	6.9	7.6	8.2	3.17
	22	13.0	4.2	4.9	5.5	6.2	6.8	3.31
	16	10.5	7.5	8.2	8.8	9.4	9.9	3.25
35	18	11.4	6.2	6.8	7.5	8.1	8.8	3.38
	19.5	11.8	5.5	6.2	6.8	7.5	8.1	3.45
	22	12.7	4.1	4.7	5.4	6.0	6.7	3.58
	16	10.1	7.2	7.9	8.5	9.0	9.6	3.54
40	18	10.9	5.9	6.6	7.2	7.9	8.5	3.67
	19.5	11.3	5.3	5.9	6.5	7.2	7.8	3.74
	22	12.2	4.5	4.5	5.2	5.8	6.4	3.89
	16	9.7	7.0	7.7	8.2	8.8	9.2	3.83
45	18	10.4	5.7	6.4	7.0	7.7	8.3	3.98
	19.5	10.8	5.0	5.7	6.3	7.0	7.6	4.05
	22	11.7	3.7	4.3	4.9	5.6	6.2	4.19

\*Dry coil condition (Gross Capacity = Sensible Capacity)  
 Gross Capacity and Comp. kW are valid only for Wet Coil

**Performance at the Rating Conditions of 26.5/19.5 & 35°C**

GROSS CAPACITY: 11.8 kW  
 AIRFLOW: 2040 CMH  
 SYSTEM POWER: 3816 WATTS  
 NOM.SYSTEM AMPS: 16.6 AMPS



## Performance Table

Outdoor Unit: 2TTB0048A1000C  
 Indoor Unit: MCX048G10WAA

### Performance at 80/67/95

AIRFLOW (CFM): 1200  
 GROS. CAP(MBH): 43.8  
 SENS. CAP(MBH): 28.9  
 COMP. WATTS: 3874  
 OD FAN WATTS: 233  
 ID FAN WATTS: 114  
 COMP. AMPS: 16.8  
 OD FAN AMPS: 1.0  
 ID FAN AMPS: 0.5  
 NOM. SYS. AMPS: 18.4  
 EER (BTU/WHR): 10.4

### Performance Data Cooling-English Units

2TTB0042A1000B With MCX042G10WAA								
AT 1200 CFM								
Gross Capacity in Btu/H x 1000								
Outdoor	Indoor	Gross	SENS.CAP.AT Entering D.B. TEMP.					COMPR.
D.B.	W.B.	CAP.	72	74	76	78	80	kW
	61	40.3	27.2	29.6	31.8	34.0	35.3	3.36
85	65	43.5	22.5	24.9	27.2	29.5	31.8	3.50
	67	45.2	20.1	22.4	24.7	27.0	29.4	3.57
	71	48.5	15.0	17.4	19.6	22.0	24.3	3.72
	61	39.2	26.9	29.1	31.4	33.4	35.3	3.65
95	65	42.2	22.1	24.4	26.7	29.0	31.3	3.80
	67	43.8	19.6	21.9	24.2	26.6	28.9	3.87
	71	47.1	14.6	16.9	19.2	21.5	23.9	4.03
	61	37.5	25.8	28.1	30.3	32.2	34.0	3.98
105	65	40.6	21.2	23.5	25.8	28.1	30.4	4.13
	67	42.2	18.7	21.0	23.3	25.6	27.9	4.21
	71	45.2	16.0	16.1	18.4	20.7	23.0	4.37
	61	35.9	25.1	27.3	29.4	31.3	32.9	4.30
115	65	38.8	20.4	22.7	25.0	27.3	29.6	4.47
	67	40.3	17.9	20.3	22.5	24.9	27.1	4.55
	71	43.3	13.1	15.3	17.6	19.9	22.2	4.71

\*Dry coil condition (Gross Capacity = Sensible Capacity)  
 Gross Capacity and Comp. kW are valid only for Wet Coil

### Performance at the Rating Conditions of 80/67 & 95°F

GROSS CAPACITY: 43.8 MBH  
 AIRFLOW: 1200 CFM  
 SYSTEM POWER: 4221 WATTS  
 NOM. SYSTEM AMPS: 18.4 AMPS

EER (BTU/W-HR): 10.4

**Performance Data Cooling - Metric Units**

2TTB0048A1000C With MCX048G10WAA								
AT 2040 CMH								
Gross Capacity in Kilowatts								
Outdoor	Indoor	Gross	SENS.CAP.AT Entering D.B. TEMP.					COMPR.
D.B.	W.B.	CAP.	22.5	23.5	24.5	25.5	26.5	kW
	16	11.8	8.0	8.7	9.3	10.0	10.4	3.36
30	18	12.7	6.6	7.3	8.0	8.7	9.3	3.50
	19.5	13.2	5.9	6.6	7.3	7.9	8.6	3.57
	22	14.2	4.4	5.1	5.7	6.5	7.1	3.72
	16	11.5	7.9	8.5	9.2	9.8	10.4	3.65
35	18	12.4	6.5	7.1	7.8	8.5	9.2	3.80
	19.5	12.8	5.7	6.4	7.1	7.8	8.5	3.87
	22	13.8	4.3	4.9	5.6	6.3	7.0	4.03
	16	11.0	7.6	8.2	8.9	9.4	10.0	3.98
40	18	11.9	6.2	6.9	7.6	8.2	8.9	4.13
	19.5	12.4	5.5	6.1	6.8	7.5	8.2	5.21
	22	13.2	4.7	4.7	5.4	6.1	6.7	4.37
	16	10.5	7.4	8.0	8.6	9.2	9.6	4.30
45	18	11.4	6.0	6.7	7.3	8.0	8.7	4.47
	19.5	11.8	5.3	6.0	6.6	7.3	7.9	4.55
	22	12.7	3.8	4.5	5.2	5.8	6.5	4.71

\*Dry coil condition (Gross Capacity = Sensible Capacity)  
 Gross Capacity and Comp. kW are valid only for Wet Coil

**Performance at the Rating Conditions of 26.5/19.5 & 35°C**

GROSS CAPACITY: 12.8 kW  
 AIRFLOW: 2040 CMH  
 SYSTEM POWER: 4221 WATTS  
 NOM.SYSTEM AMPS: 18.4 AMPS



## Performance Table

Outdoor Unit: 2TTB0060A1000C  
 Indoor Unit: MCX048G10WAA

### Performance at 80/67/95

AIRFLOW (CFM): 1350  
 GROS. CAP(MBH): 59.7  
 SENS. CAP(MBH): 38.8  
 COMP. WATTS: 5150  
 OD FAN WATTS: 295  
 ID FAN WATTS: 114  
 COMP. AMPS: 22.4  
 OD FAN AMPS: 1.3  
 ID FAN AMPS: 0.5  
 NOM. SYS. AMPS: 24.2  
 EER (BTU/WHR): 10.7

### Performance Data Cooling-English Units

2TTB0060A1000C With MCX060G10WAA								
AT 1350 CFM								
Gross Capacity in Btu/H x 1000								
Outdoor	Indoor	Gross	SENS.CAP.AT Entering D.B. TEMP.					COMPR.
D.B.	W.B.	CAP.	72	74	76	78	80	kW
	61	54.9	36.6	39.9	42.8	45.8	47.6	4.47
85	65	59.3	30.3	33.5	36.6	39.7	42.8	4.66
	67	61.5	27.0	30.1	33.3	36.3	39.5	4.74
	71	66.1	20.2	23.4	26.4	29.7	32.7	4.94
	61	53.4	36.1	39.1	42.3	44.9	47.5	4.85
95	65	57.5	29.7	32.8	36.0	39.0	42.2	5.05
	67	59.7	26.3	29.5	32.6	35.7	38.8	5.15
	71	64.2	19.7	22.7	25.9	28.9	32.2	5.35
	61	51.2	34.8	37.9	40.8	43.3	45.8	5.29
105	65	55.3	28.5	31.6	34.7	37.8	40.9	5.49
	67	57.5	25.2	28.2	31.4	34.4	37.6	5.59
	71	61.6	21.6	21.7	24.7	27.9	30.9	5.81
	61	49.0	33.8	36.8	39.5	42.1	44.3	5.72
115	65	52.9	27.5	30.6	33.6	36.8	39.8	5.94
	67	54.9	24.1	27.4	30.3	33.5	36.5	6.05
	71	59.0	17.6	20.6	23.7	26.8	29.9	6.26

\*Dry coil condition (Gross Capacity = Sensible Capacity)  
 Gross Capacity and Comp. kW are valid only for Wet Coil

### Performance at the Rating Conditions of 80/67 & 95°F

GROSS CAPACITY: 59.7 MBH  
 AIRFLOW: 1350 CFM  
 SYSTEM POWER: 5559 WATTS  
 NOM. SYSTEM AMPS: 24.2 AMPS

EER (BTU/W-HR): 10.7

**Performance Data Cooling - Metric Units**

2TTB060A1000C With MCX048G10WAA								
AT 2295 CMH								
Gross Capacity in Kilowatts								
Outdoor	Indoor	Gross	SENS.CAP.AT Entering D.B. TEMP.					COMPR.
D.B.	W.B.	CAP.	22.5	23.5	24.5	25.5	26.5	kW
	16	16.1	10.7	11.7	12.6	13.4	13.9	4.47
30	18	17.4	8.9	9.8	10.7	11.6	12.5	4.66
	19.5	18.0	7.9	8.8	9.8	10.6	11.6	4.74
	22	19.4	5.9	6.9	7.7	8.7	9.6	4.94
	16	15.6	10.6	11.5	12.4	13.2	13.9	4.85
35	18	16.9	8.7	9.6	10.5	11.4	12.4	5.05
	19.5	17.5	7.7	8.6	9.6	10.5	11.4	5.15
	22	18.8	5.8	6.7	7.6	8.5	9.4	5.35
	16	15.0	10.2	11.1	12.0	12.7	13.4	5.29
40	18	16.2	8.4	9.3	10.2	11.1	12.0	5.49
	19.5	16.8	7.4	8.3	9.2	10.1	11.0	5.59
	22	18.0	6.3	6.3	7.2	8.2	9.1	5.81
	16	14.4	9.9	10.8	11.6	12.3	13.0	5.72
45	18	15.5	8.0	9.0	9.9	10.8	11.7	5.94
	19.5	16.1	7.1	8.0	8.9	9.8	10.7	6.05
	22	17.3	5.1	6.0	6.9	7.8	8.8	6.26

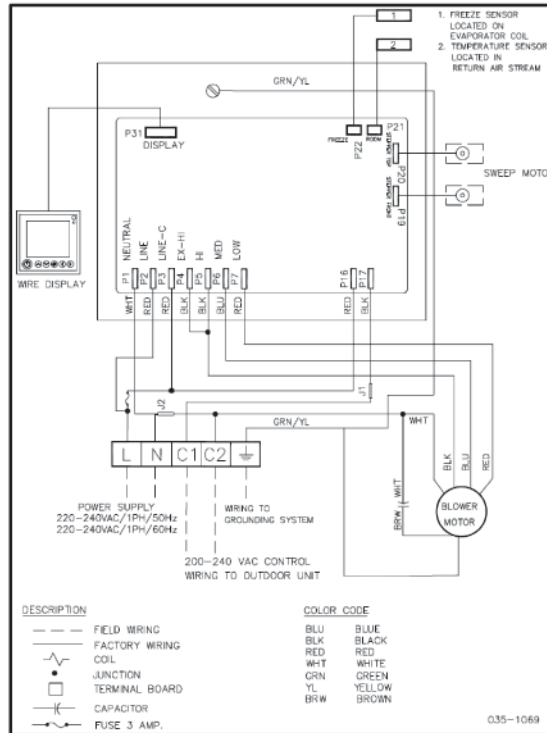
\*Dry coil condition (Gross Capacity = Sensible Capacity)  
 Gross Capacity and Comp. kW are valid only for Wet Coil

**Performance at the Rating Conditions of 26.5/19.5 & 35°C**

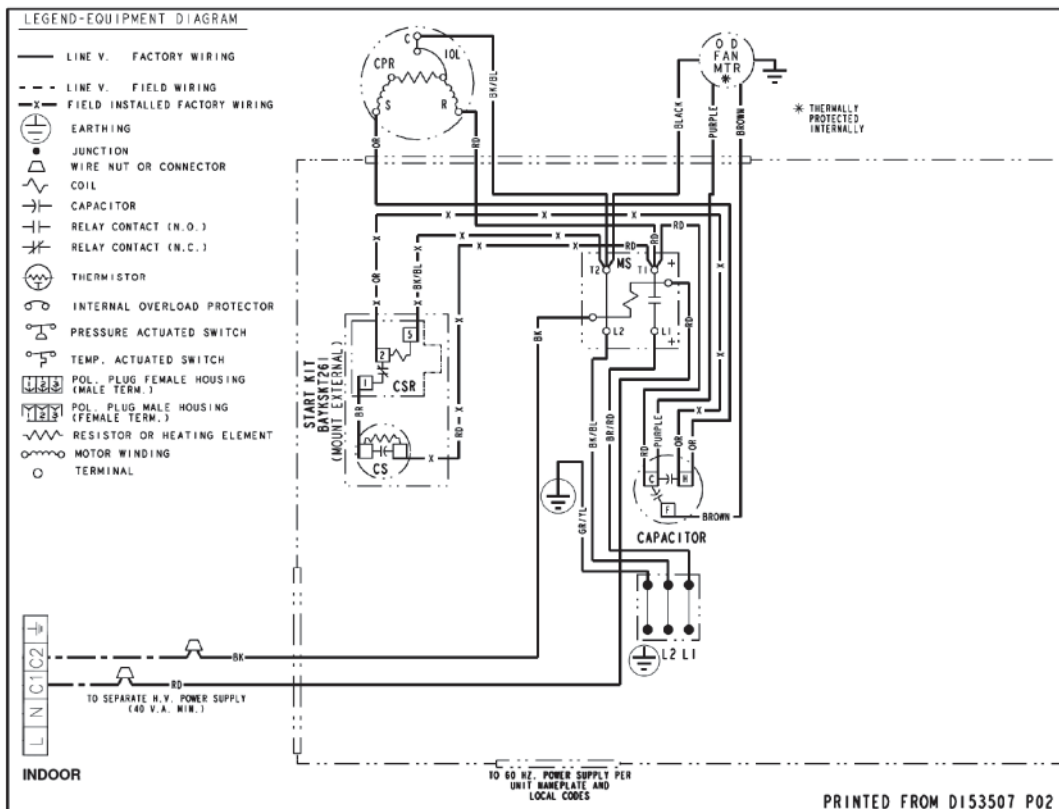
GROSS CAPACITY: 17.5 kW  
 AIRFLOW: 2295 CMH  
 SYSTEM POWER: 5559 WATTS  
 NOM.SYSTEM AMPS: 24.2 AMPS

# Wiring Diagram

## MCX512G10WBA

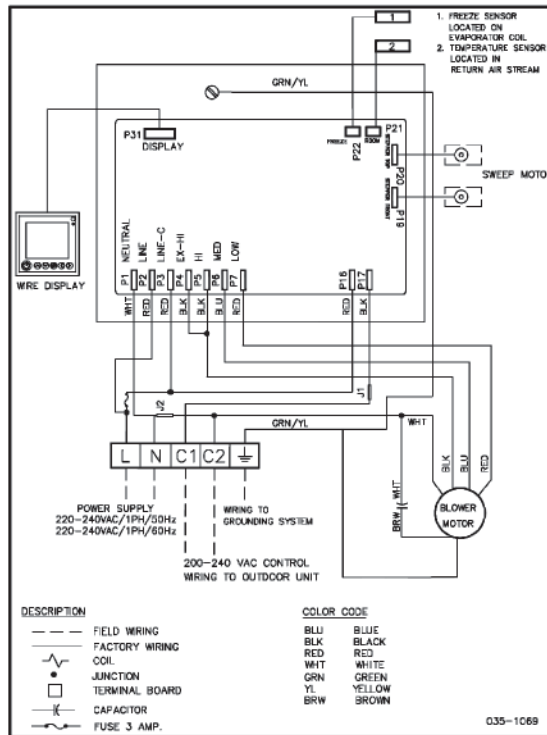


## 2TTB0512A1000C

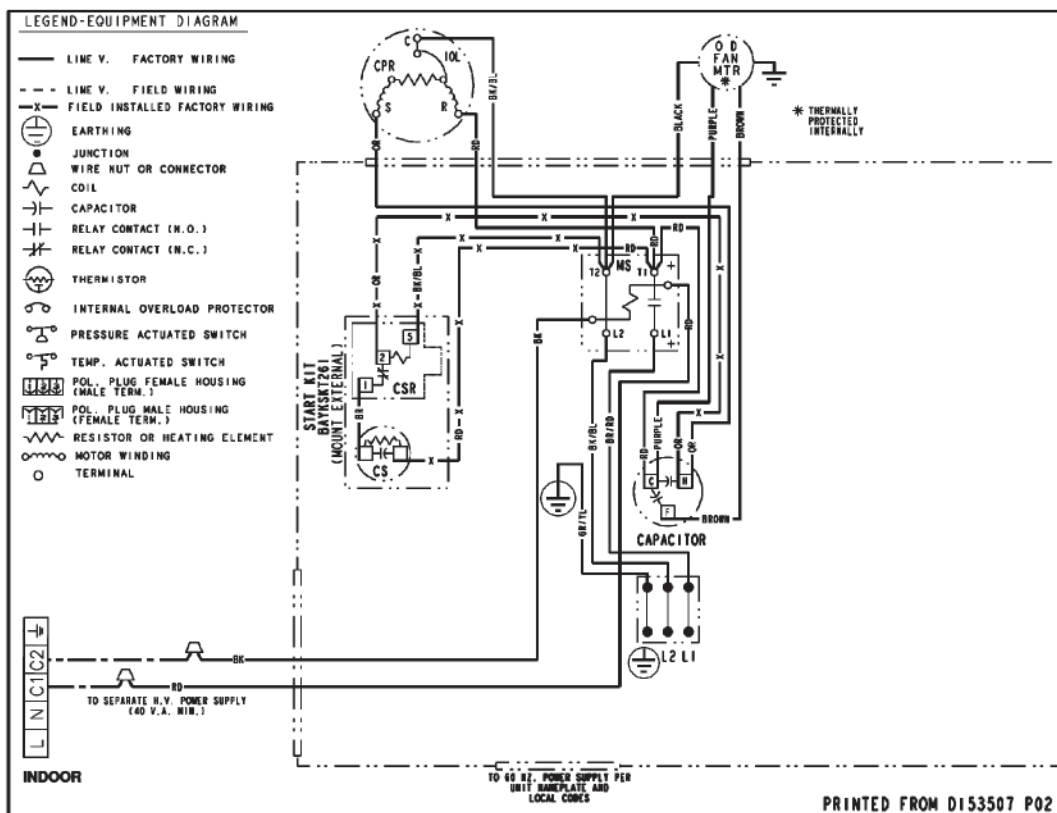




## MCX518G10WBA

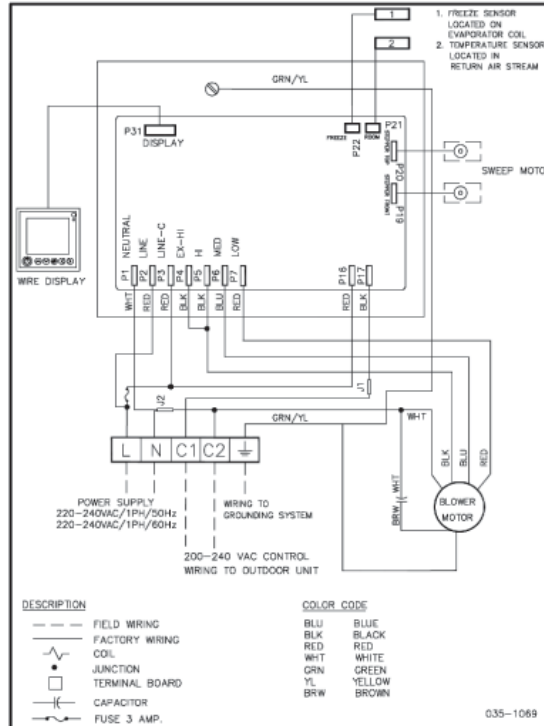


## 2TTB0518A1000C

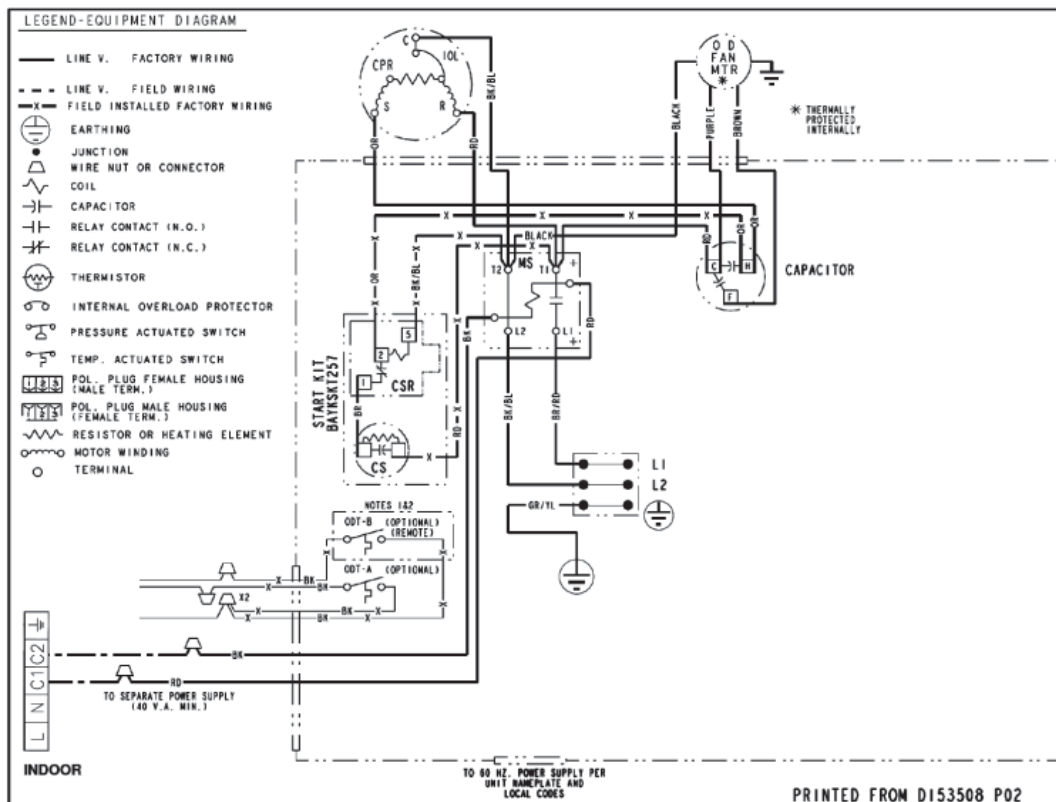




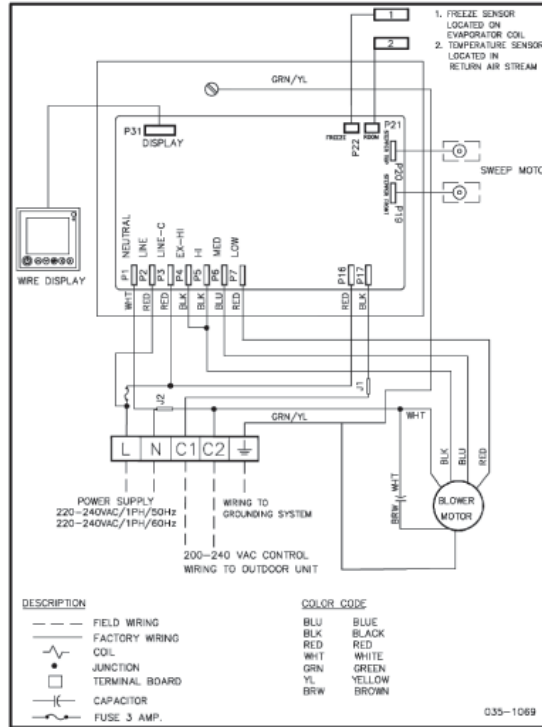
## MCX530G10WBA



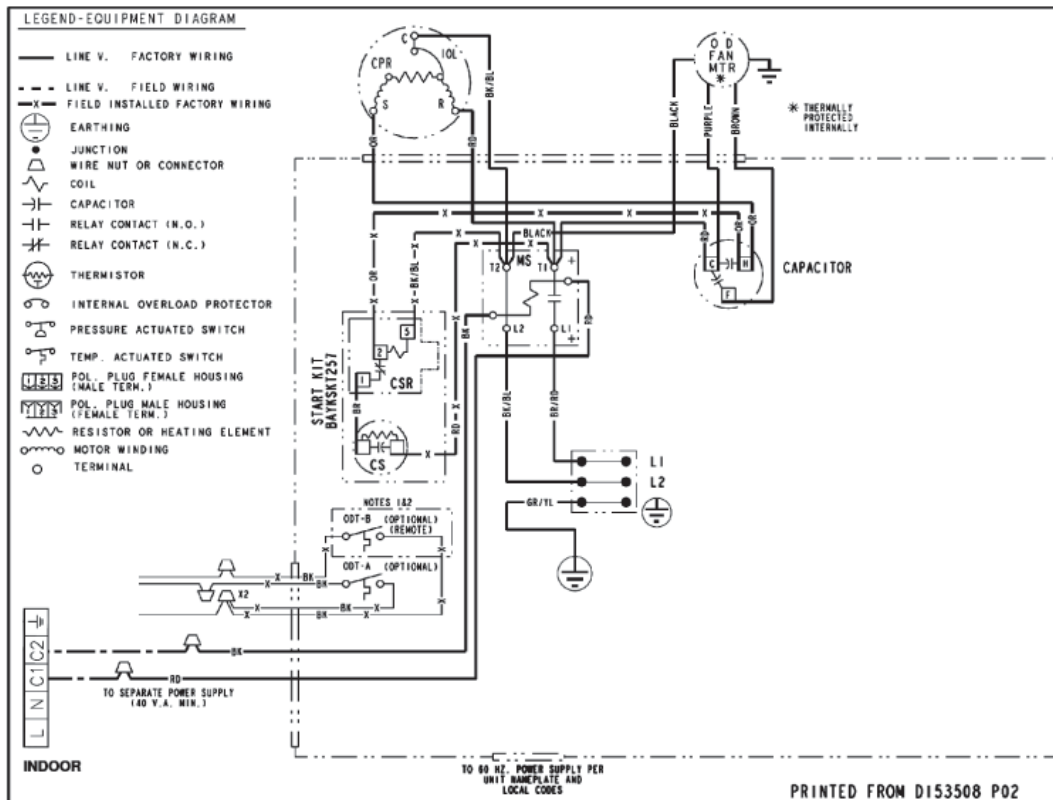
## 2TTB0530A1000B



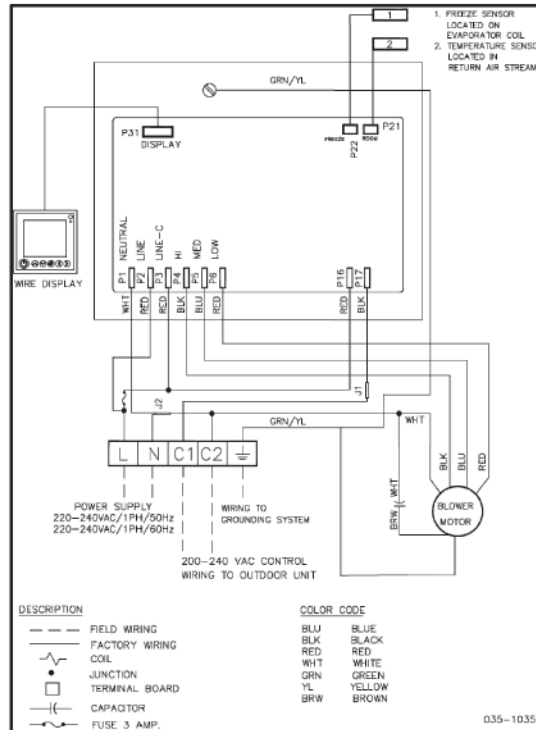
## MCX536G10WBA



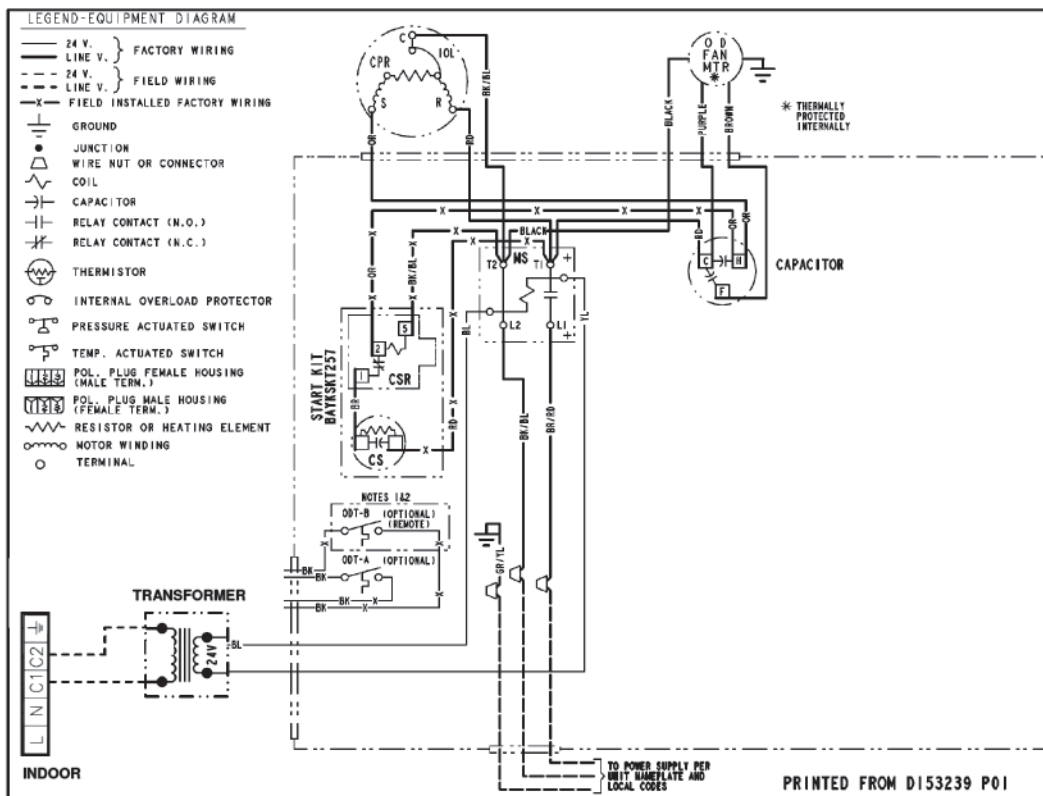
## 2TTB0536A1000B



## MCX042G10WAA

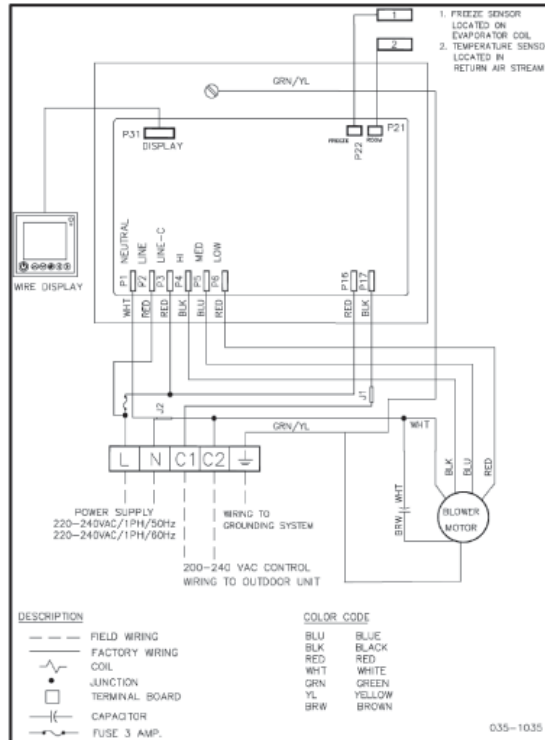


## 2TTB0042A1000C

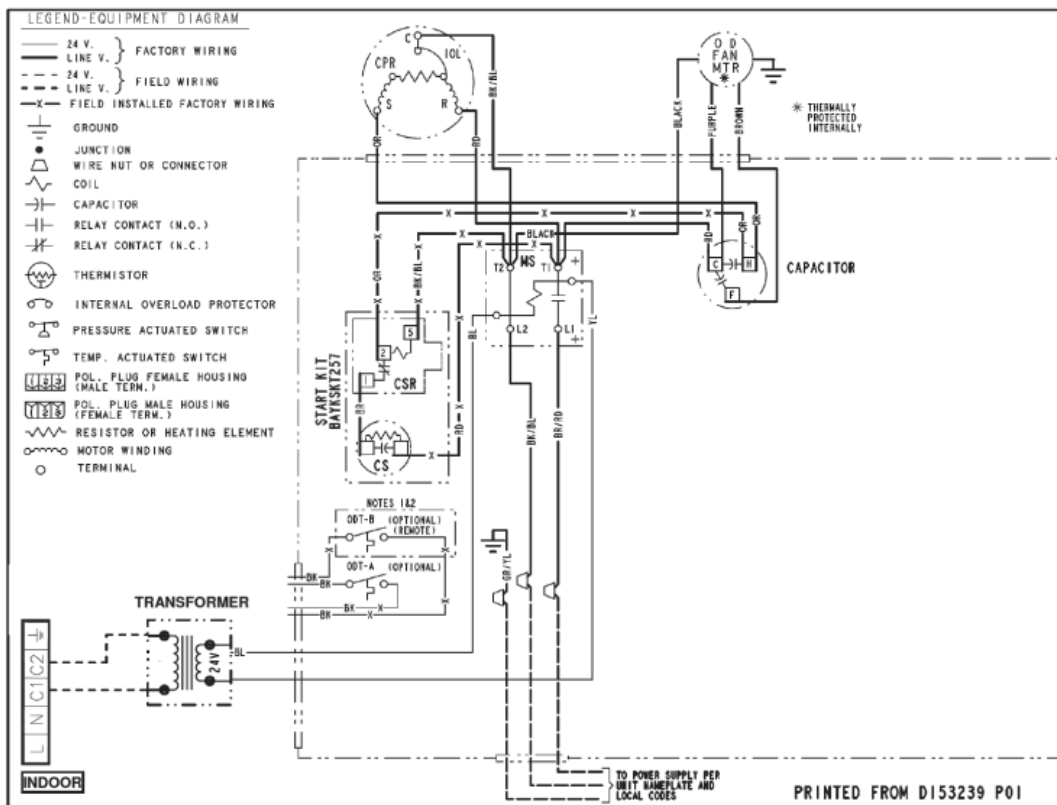


Field install transformer  
Specs: 220 / 24 Volt 50/60Hz  
VA: 25 VA  
Part # 325-2623

## MCX048G10WAA

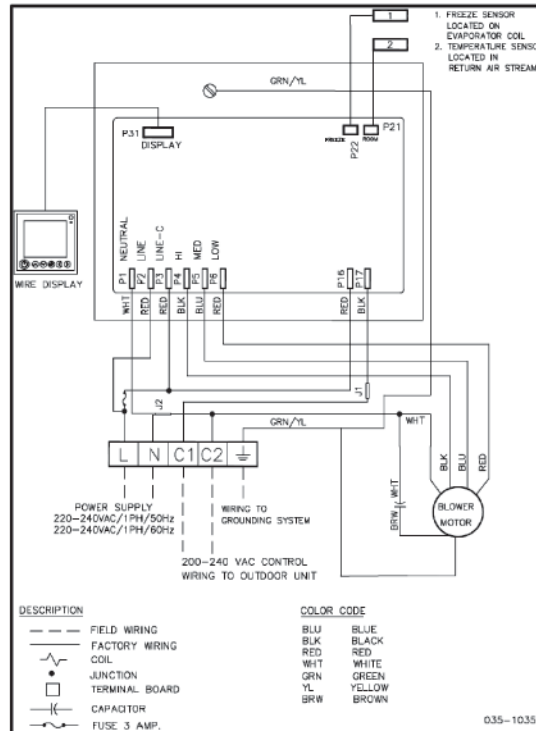


## 2TTB0048A1000C

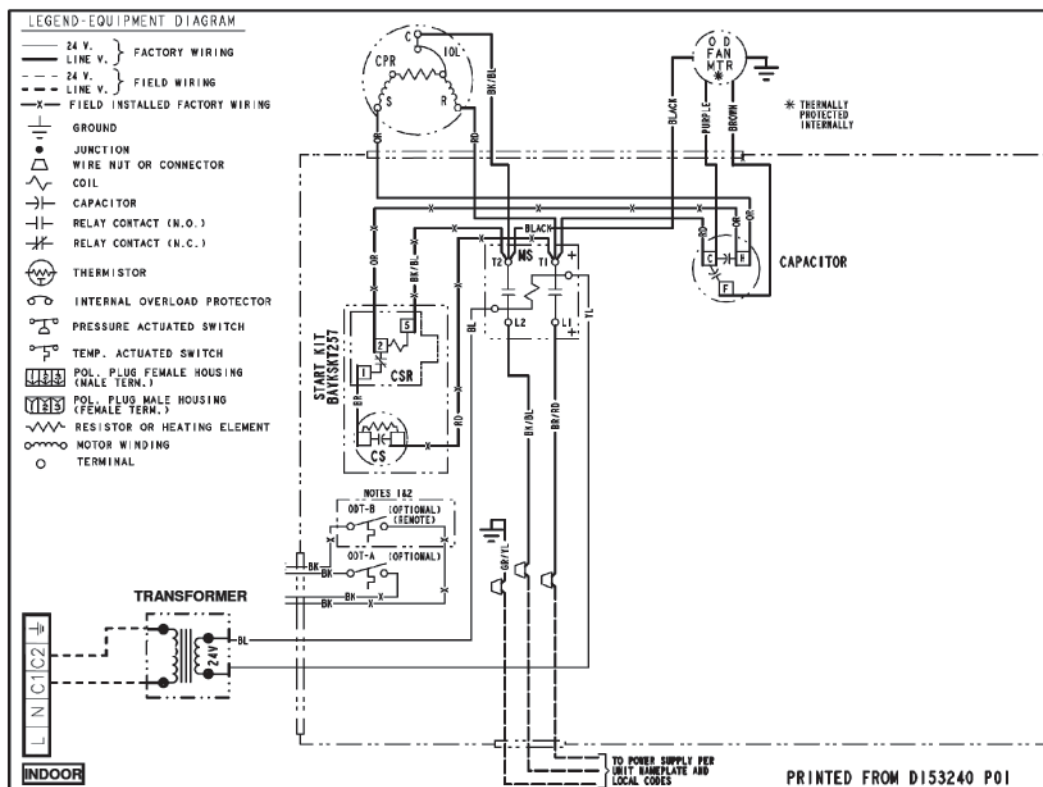


Field install transformer  
Specs: 220 / 24 Volt 50/60Hz  
VA: 25 VA  
Part # 325-2623

## MCX060G10WAA



## 2TTB0060A1000C

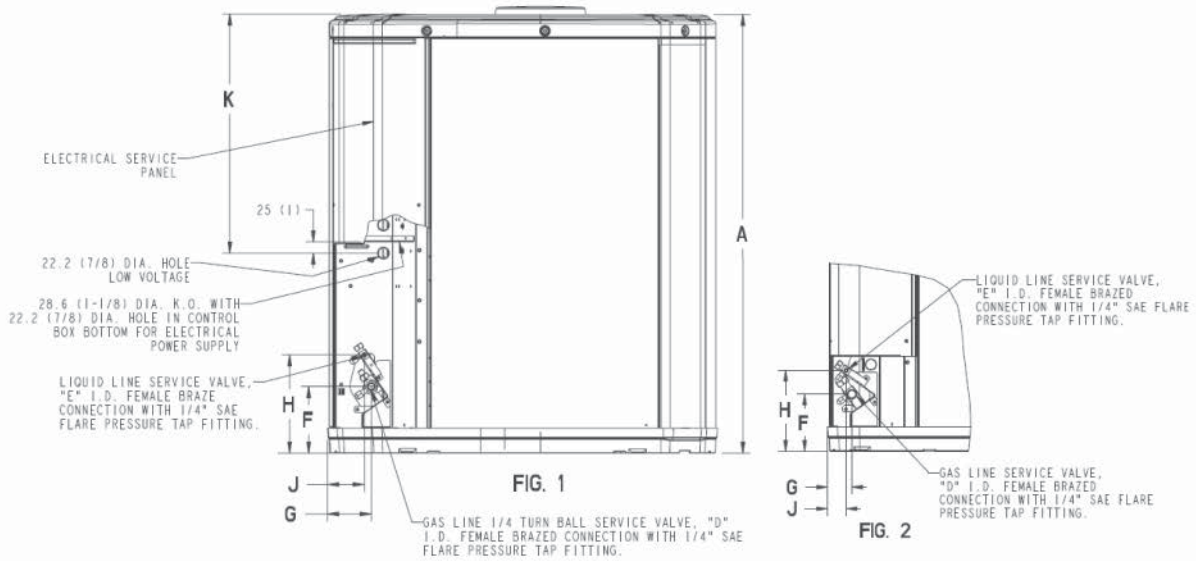
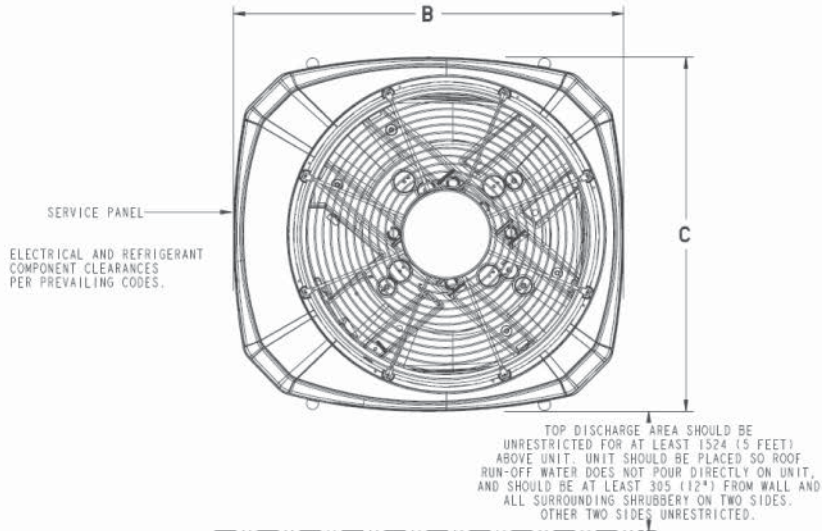


Field install transformer  
Specs:220 / 24 Volt 50/60Hz  
VA: 25 VA  
Part # 325-2623

# Dimensions

## 2TTB0 Outline Drawing

Note: All dimensions are in inches (mm)

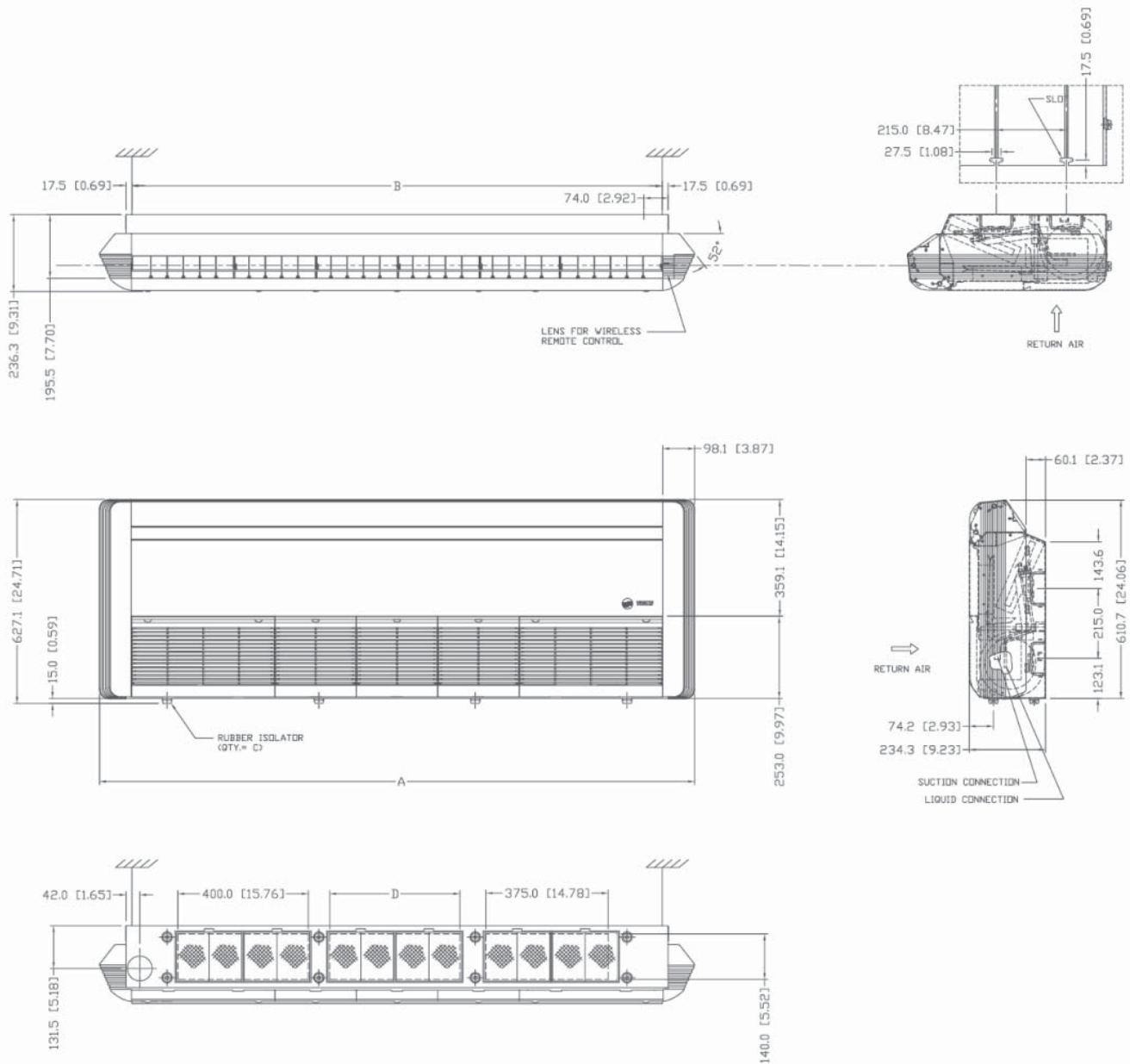


Model	A	B	C	D	E
2TTB0512A	25.5 (648)	18.8 (476)	19.8 (502)	5/8 (16)	1/4 (6)
2TTB0518A	25.5 (648)	18.8 (476)	19.8 (502)	5/8 (16)	1/4 (6)
2TTB0524A	25.5 (648)	18.8 (476)	19.8 (502)	3/4 (19)	5/16 (8)
2TTB0530B	25.6 (651)	25.6 (651)	28.5 (724)	3/4 (19)	5/16 (8)
2TTB0536B	25.6 (651)	25.6 (651)	28.5 (724)	3/4 (19)	5/16 (8)
2TTB0042A	28.8 (730)	28.5 (724)	25.6 (651)	7/8 (22)	3/8 (10)
2TTB0048A	28.8 (730)	28.5 (724)	25.6 (651)	1-1/8 (29)	3/8 (10)
2TTB0060A	32.8 (832)	29.8 (756)	29.8 (756)	1-1/8 (29)	3/8 (10)



## MCX512-536G1 Outline Drawing

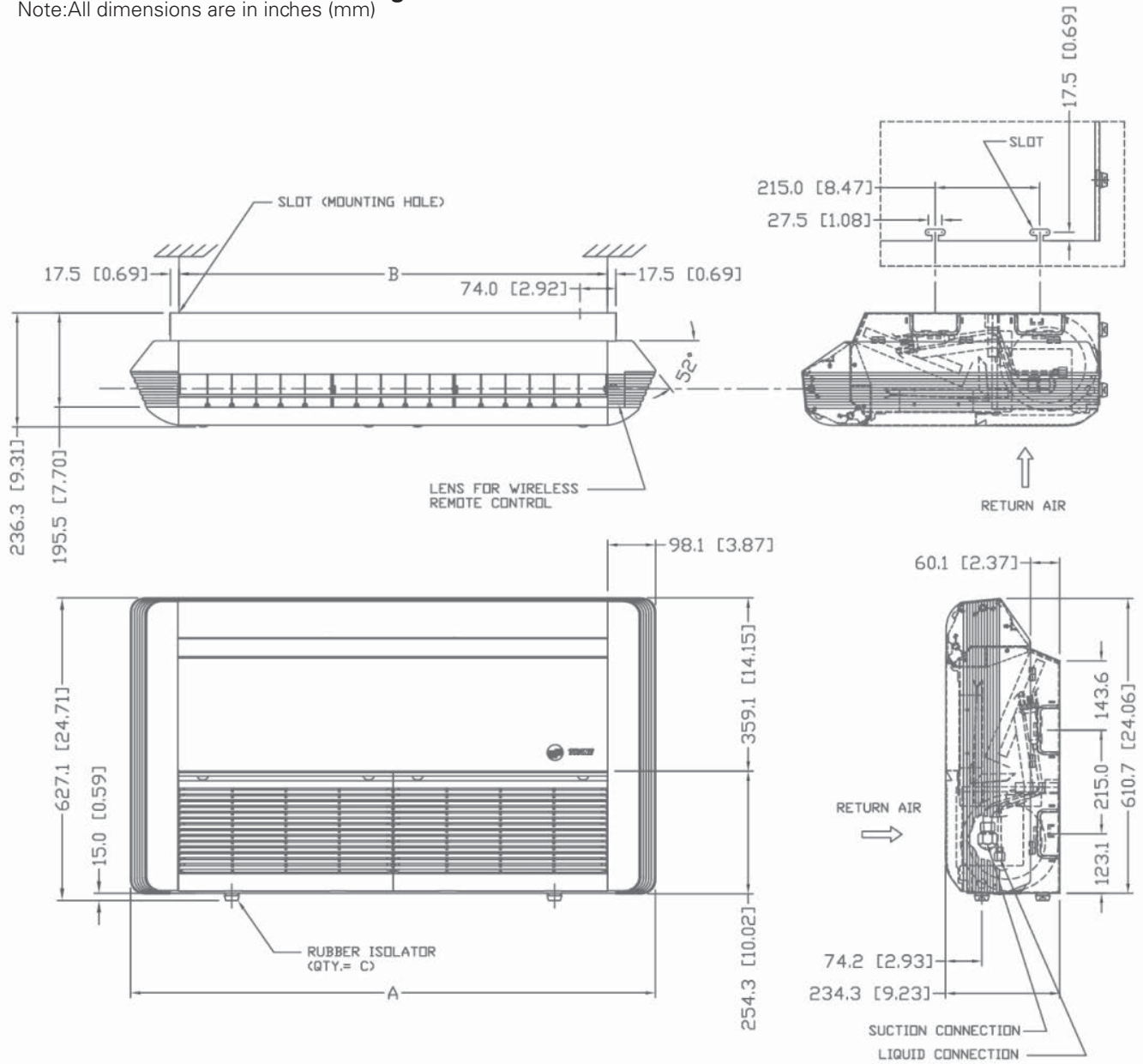
Note: All dimensions are in inches (mm)



Model	CONN.Sizes		Connection Type	A in. (mm)	B in. (mm)	C Each
	Liquid	Suction				
MCX512G1	1/4 (6.4)	1/2 (12.7)	FLARED	42.28 (1074)	34.61 (879)	4
MCX518G1	1/4 (6.4)	1/2 (12.7)	FLARED	42.28 (1074)	34.61 (879)	4
MCX524G1	3/8 (9.5)	5/8 (15.9)	FLARED	51.13 (1324)	44.45 (1129)	4
MCX530G1	3/8 (9.5)	5/8 (15.9)	FLARED	61.97 (1574)	54.29 (1379)	6
MCX536G1	3/8 (9.5)	3/4 (19.0)	FLARED	61.97 (1574)	54.29 (1379)	6

### MCX042-060G1 Outline Drawing

Note: All dimensions are in inches (mm)



Model	CONN.Sizes		Connection Type	A in. (mm)	B in. (mm)	C Each	D in. (mm)
	Liquid	Suction					
MCX042G1	3/8 (9.5)	7/8 (22)	BRAZED	71.81 (1824)	64.13 (1629)	8	15.76 (400)
MCX048G1	3/8 (9.5)	1-1/8 (28.6)	BRAZED	71.81 (1824)	64.13 (1629)	8	15.76 (400)
MCX060G1	3/8 (9.5)	1-1/8 (28.6)	BRAZED	81.65 (2047)	73.98 (1879)	8	23.64 (600)



Trane optimizes the performance of homes and buildings around the world. A business of Ingersoll Rand, the leader in creating and sustaining safe, comfortable and energy efficient environments, Trane offers a broad portfolio of advanced controls and HVAC systems, comprehensive building services, and parts. For more information, visit [www.Trane.com](http://www.Trane.com).

Trane has a policy of continuous product and product data improvement and reserves the right to change design and specifications without notice.